

# SIMONTON WINDOWS *MAXVIEW Multi-Slide Patio Door (NON-IMPACT)*

**NOTES:**

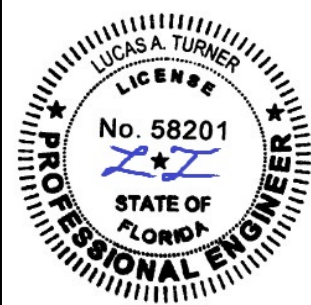
- THIS INSTALLATION HAS BEEN EVALUATED FOR USE IN LOCATIONS ADHERING TO THE FLORIDA BUILDING CODE OUTSIDE THE HVHZ, AND WHERE PRESSURE REQUIREMENTS AS DETERMINED BY ASCE 7 MINIMUM DESIGN LOADS FOR BUILDINGS AND OTHER STRUCTURES DO NOT EXCEED THE DESIGN PRESSURE RATINGS HEREIN.
- WHEN USED IN AREAS REQUIRING IMPACT PROTECTION, THIS PRODUCT REQUIRES THE USE OF APPROVED IMPACT PROTECTIVE DEVICES (SHUTTERS).
- ANCHOR TYPE, SIZE, SPACING, EMBEDMENT, AND EDGE DISTANCE SHALL BE AS SPECIFIED IN THESE DRAWINGS. USE APPROPRIATE ANCHORAGE FROM TABLE 1 AND TABLE 2 ACCORDING TO SUBSTRATE TYPE. A MINIMUM CENTER-TO-CENTER SPACING SHALL BE MAINTAINED BETWEEN ALL INSTALLATION FASTENERS IN ANY DIRECTION.
- ANCHOR EMBEDMENT TO SUBSTRATE SHALL BE BEYOND WALL DRESSING OR STUCCO. FOR MASONRY OPENINGS WITH WOOD BUCKS LESS THAN 1-1/2" THICK, EMBEDMENT SHALL BE BEYOND WOOD BUCKS, IF USED, AND INTO MASONRY SUBSTRATE. WOOD BUCKS WITH MASONRY ARE OPTIONAL.
- WOOD, METAL, OR MASONRY OPENINGS, BUCKS, AND BUCK FASTENERS, BY OTHERS, SHALL BE PROPERLY DESIGNED AND INSTALLED BY OTHERS TO TRANSFER SUPERIMPOSED LOADS TO THE STRUCTURE. ADEQUACY OF THE STRUCTURE TO RECEIVED THESE LOADS SHALL BE VERIFIED BY THE CONTRACTOR OR AUTHORITY HAVING JURISDICTION (AHJ).
- IT IS THE RESPONSIBILITY OF THE ARCHITECT OR ENGINEER OF RECORD OR AS APPROVED BY THE AHJ TO SELECT SIMONTON PRODUCTS TO MEET ALL APPLICABLE LOCAL LAWS, BUILDING CODES, ORDINANCES, OR OTHER SAFETY REQUIREMENTS FOR EACH INSTALLATION.
- SHIMS ARE REQUIRED WHERE GAPS OF GREATER THAN 1/16" EXIST BETWEEN OPENING AND FRAME. MAX. SHIM STACK IS 1/4". SHIMS SHALL BE LOAD-BEARING AND CAPABLE OF TRANSFERRING LOADS TO THE SUBSTRATE.
- SEALING AND FLASHING STRATEGIES FOR OVERALL WATER INFILTRATION RESISTANCE OF THE INSTALLED PRODUCT SHALL BE THE RESPONSIBILITY OF OTHERS USING ASTM E 2112 AND IS NOT ADDRESSED BY THIS DOCUMENT.
- INSTALLED GLAZING SHALL COMPLY WITH ASTM E 1300.
- ALL FASTENERS PENETRATING INTO PRESSURE TREATED WOOD SHALL BE CAPABLE OF PREVENTING CORROSION DUE TO REACTION WITH PRESSURE TREATMENT CHEMICALS. ANY DISSIMILAR MATERIALS THAT COME INTO CONTACT SHALL BE PROTECTED TO PREVENT REACTIONS IN ACCORDANCE WITH CODE REQUIREMENTS.
- A WIND LOAD DURATION FACTOR  $C_d = 1.6$  WAS USED FOR THE ANALYSIS OF WOOD SCREWS ONLY.
- PRODUCTS SHALL BE CONSTRUCTED AS SPECIFIED IN TEST REPORTS I1835.06/10/11/12/13/14/15/17/18/19/22-106-11-R0, I1835.02/16-106-11-RI, I1835.05/07-106-11-R2 AND I1835.03-106-12-RI BY MOLIMO ARCHITECTURAL PRODUCT TESTING.
- POCKET WALL/CAVITY IS NOT PART OF THIS APPROVAL AND REVIEWED BY THE AUTHORITY HAVING JURISDICTION (AHJ).
- USE A BACKER ROD ON ALL JOINTS  $>3/4"$  DEEP AND/OR WIDER THAN 1/4". FINISHED CAULK JOINT SHOULD BE A MINIMUM OF 3/8" DEEP.

SIZE CHART					
OVERALL FRAME MAX. SIZE		PERFORMANCE RATING	DESIGN PRESSURE	MIN. SILL RISER	INSTALLATION METHOD
WIDTH	HEIGHT				
353"	96"	LC-PG70	+70/-80 PSF	2-1/4"	NAIL FIN OR THROUGH FRAME

PANEL SIZE CHART				
PANEL CALL SIZE	PANEL MAX. SIZE	D.L.O.		GLAZING DETAIL TYPE
		WIDTH	HEIGHT	
3-0 8-0	37-1/8" x 93-1/16"	28-1/8"	84-1/8"	1, 2 OR 3
4-0 8-0	49-1/8" x 93-1/16"	40-1/8"	84-1/8"	1, 2 OR 3
5-0 8-0	61-1/8" x 93-1/16"	52-1/8"	84-1/8"	2 OR 3

TABLE OF CONTENTS	
SHEET	SHEET DESCRIPTION
1	SIZE CHART, PANEL SIZE CHART & GENERAL NOTES
2	TABLE 1
3	CONFIGURATIONS & ELEVATIONS
4	HORIZONTAL SECTION DETAILS
5	VERTICAL SECTION DETAILS
6-24	ANCHOR LAYOUTS
25	P-HOOK ANCHOR LAYOUT DETAILS & TABLE 2
26	GLAZING DETAILS & SPLICE DETAILS
27	NAIL FIN SUPPLEMENTAL PATTERN

TITLE: MAXVIEW MULTI-SLIDE PATIO DOOR SIZE CHART, PANEL SIZE CHART & GENERAL NOTES	DATE				
	BY				
	REVISION DESCRIPTION				
	NO.				
DATE: 08/28/23	DWN BY: LMH	CHK BY: SAS	SCALE: NTS		



12/13/2023  
LUCAS A. TURNER, P.E.  
FL PE # 58201  
TURNER ENGINEERING & CONSULTING, INC.  
(COA # 29779)  
2428 OLD NATCHEZ TRACE  
TRAIL, CAMDEN, TN 38320  
PH. 941-380-1574

FL#: **41795**

DWG #: **IN0612**

SHEET: **1-FLOF 27**

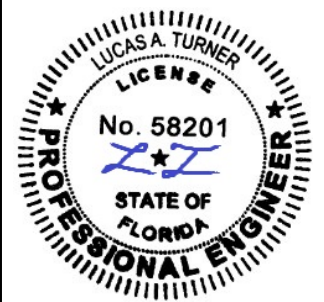
# PERFORMANCE GRADE LC-PG70 (+70/-80)

TABLE I: INSTALLATION FASTENERS TABLE

ID	FRAME LOCATION	SUBSTRATE TYPE	ANCHOR TYPE	MIN. EDGE DISTANCE	MIN. EMBED.	MIN. ON CENTER SPACING	PANEL WIDTH					
							UP TO 3-0 x 8-0 MAX.		UP TO 4-0 x 8-0 MAX.		UP TO 5-0 x 8-0 MAX.	
							HEAD & SILL CLUSTERS QUANTITY	JAMB O.C. SPACING	HEAD & SILL CLUSTERS QUANTITY	JAMB O.C. SPACING	HEAD & SILL CLUSTERS QUANTITY	JAMB O.C. SPACING
A	HEAD/SILL/JAMB	CONCRETE (2 KSI MIN.)	1/4" ITW TAPCON w/ADVANCED THREADFORM TECHNOLOGY COATED CARBON STEEL	1-1/2"	1-3/4"	4"	3	16-3/4"	4	16-3/4"	5	16-3/4"
B	JAMBS ONLY	HOLLOW OR GROUT-FILLED CMU (ASTM C-90)	1/4" ITW TAPCON w/ADVANCED THREADFORM TECHNOLOGY COATED CARBON STEEL	2"	1"	4"	N/A	9-1/2"	N/A	9-1/2"	N/A	9-1/2"
C	HEAD/SILL/JAMB	CONCRETE (3.05 KSI MIN.)	1/4" DEWALT ULTRACON+, COATED CARBON STEEL	1"	1-3/8"	4"	5	9-1/2"	7	9-1/2"	9	9-1/2"
D	HEAD/SILL/JAMB	CONCRETE (3.05 KSI MIN.)	1/4" DEWALT ULTRACON+, COATED CARBON STEEL	2-1/2"	1-3/8"	4"	3	16-3/4"	3	16-3/4"	3	16-3/4"
E	JAMBS ONLY	HOLLOW CMU (ASTM C-90)	1/4" DEWALT ULTRACON+, COATED CARBON STEEL	1"	1-1/4"	3"	N/A	9-1/2"	N/A	9-1/2"	N/A	9-1/2"
F	JAMBS ONLY	HOLLOW CMU (ASTM C-90)	1/4" DEWALT ULTRACON+, COATED CARBON STEEL	2-1/2"	1-1/4"	3"	N/A	16-3/4"	N/A	16-3/4"	N/A	16-3/4"
G	JAMBS ONLY	GROUT-FILLED CMU (ASTM C-90)	1/4" DEWALT ULTRACON+, COATED CARBON STEEL	1"	1-1/4"	4"	N/A	9-1/2"	N/A	9-1/2"	N/A	9-1/2"
H	HEAD/SILL/JAMB	CONCRETE (3 KSI MIN.)	1/4" HILTI KWIK-CON+, COATED CARBON STEEL	2-1/2"	1"	2"	3	16-3/4"	3	16-3/4"	4	16-3/4"
I	JAMBS ONLY	HOLLOW OR GROUT-FILLED CMU (ASTM C-90)	1/4" HILTI KWIK-CON+, COATED CARBON STEEL	2-1/2"	1"	4"	N/A	9-1/2"	N/A	9-1/2"	N/A	9-1/2"
J	HEAD/SILL/JAMB	CONCRETE (2.22 KSI MIN.)	#1/4" DEWALT AGGRE-GATOR, 300 STAINLESS STEEL	1-1/2"	1-3/8"	3"	3	9-1/2"	4	9-1/2"	6	9-1/2"
K	JAMBS ONLY	HOLLOW OR GROUT-FILLED CMU (ASTM C-90)	#1/4" DEWALT AGGRE-GATOR, 300 STAINLESS STEEL	2"	1-1/4"	3"	N/A	9-1/2"	N/A	9-1/2"	N/A	9-1/2"
L	HEAD/SILL/JAMB	2X MIN. SPRUCE-PINE-FIR WOOD (G>=0.42)	#12 GRADE 5 WOOD SCREW	3/4"	1-1/2"	3"	5	10-1/4"	7	10-1/4"	9	10-1/4"
M	HEAD/SILL/JAMB	2X MIN. SOUTHERN PINE WOOD (G>=0.55)	#12 GRADE 5 WOOD SCREW	3/4"	1-1/2"	3"	5	10-1/4"	7	10-1/4"	9	10-1/4"
N	HEAD/SILL/JAMB	2X MIN. SPRUCE-PINE-FIR WOOD (G>=0.42)	1/4" MASONRY FASTENERS AS LISTED IN THIS TABLE	1"	1-1/2"	3"	5	10-1/4"	7	10-1/4"	9	10-1/4"
O	HEAD/SILL/JAMB	2X MIN. SOUTHERN PINE WOOD (G>=0.55)	1/4" MASONRY FASTENERS AS LISTED IN THIS TABLE	1"	1-1/2"	3"	5	10-1/4"	7	10-1/4"	9	10-1/4"
P	HEAD/SILL/JAMB	16 GAUGE (0.060"), MIN. STEEL STUD, 33 KSI YIELD MIN.	#12-14 ITW TEKS,DEWALT DRIL-FLEX, OR HILTI KWIK-FLEX SELF-DRILLING SCREW	1/2"	FULL PLUS 3 THREADS MIN.	3"	5	10-1/4"	7	10-1/4"	9	10-1/4"
Q	HEAD/SILL/JAMB	1/8" ALUM. 6063-T5 MIN. OR 1/8" STEEL 36 KSI MIN.	#12-14 GRADE 5 SELF-TAPPING/DRILLING SCREW	1/2"	FULL PLUS 3 THREADS MIN.	3"	5	10-1/4"	7	10-1/4"	9	10-1/4"

NOTES: -ALL SCREWS SHALL BE PAN OR HEX WASHER HEAD.  
-PRE-DRILLING FOR ANCHORS INTO WOOD IS RECOMMENDED.  
-SEE SHEET 25 FOR P-HOOK DETAILS.  
-CONCRETE/MASONRY SHALL NOT BE CRACKED.

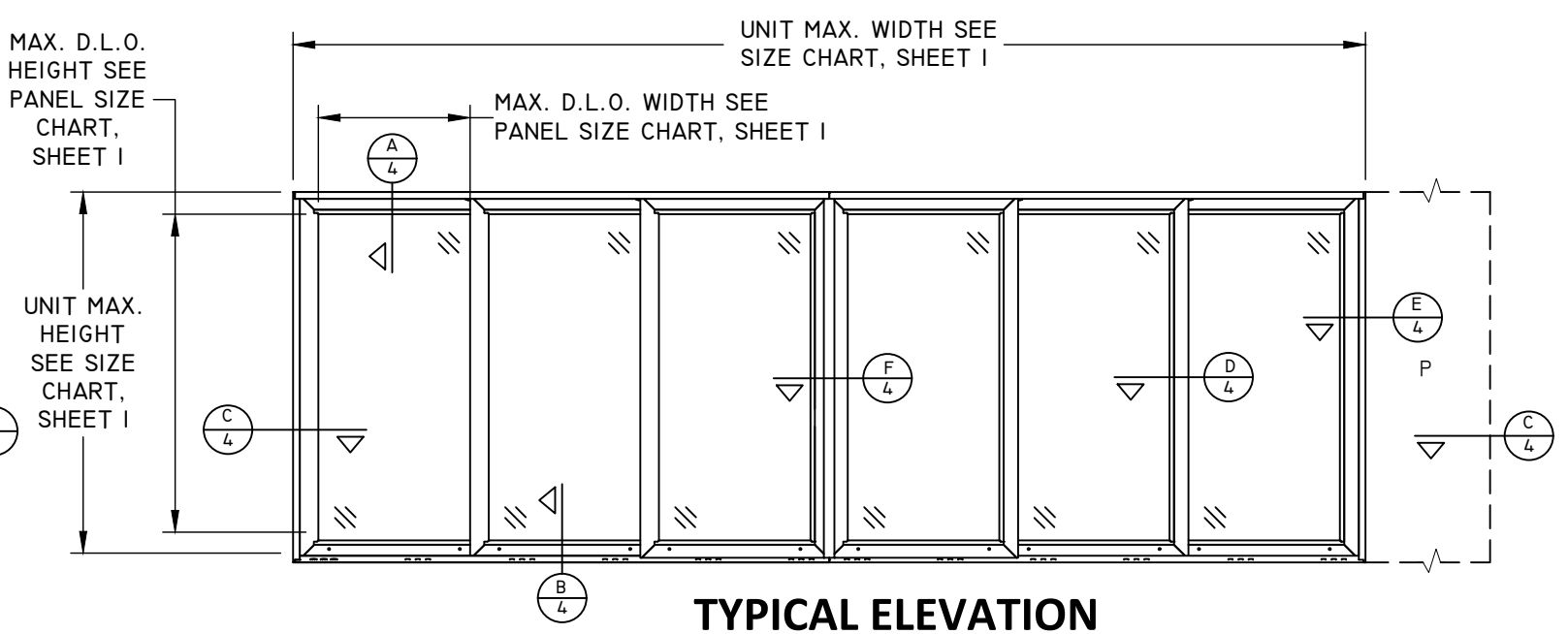
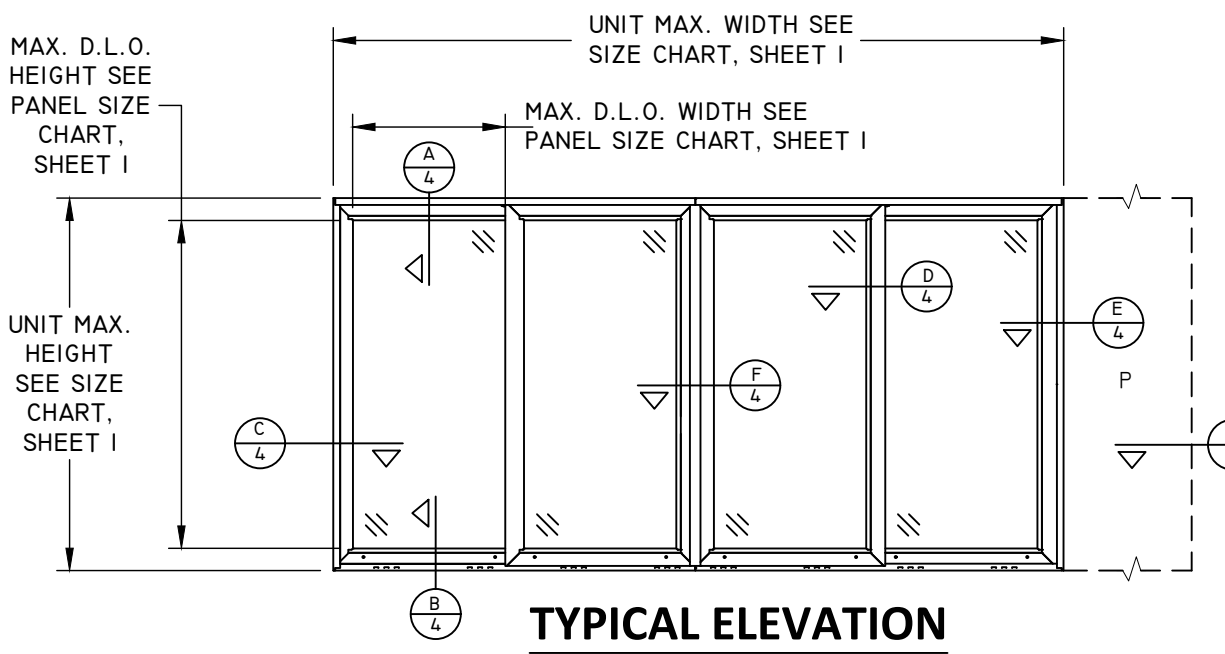
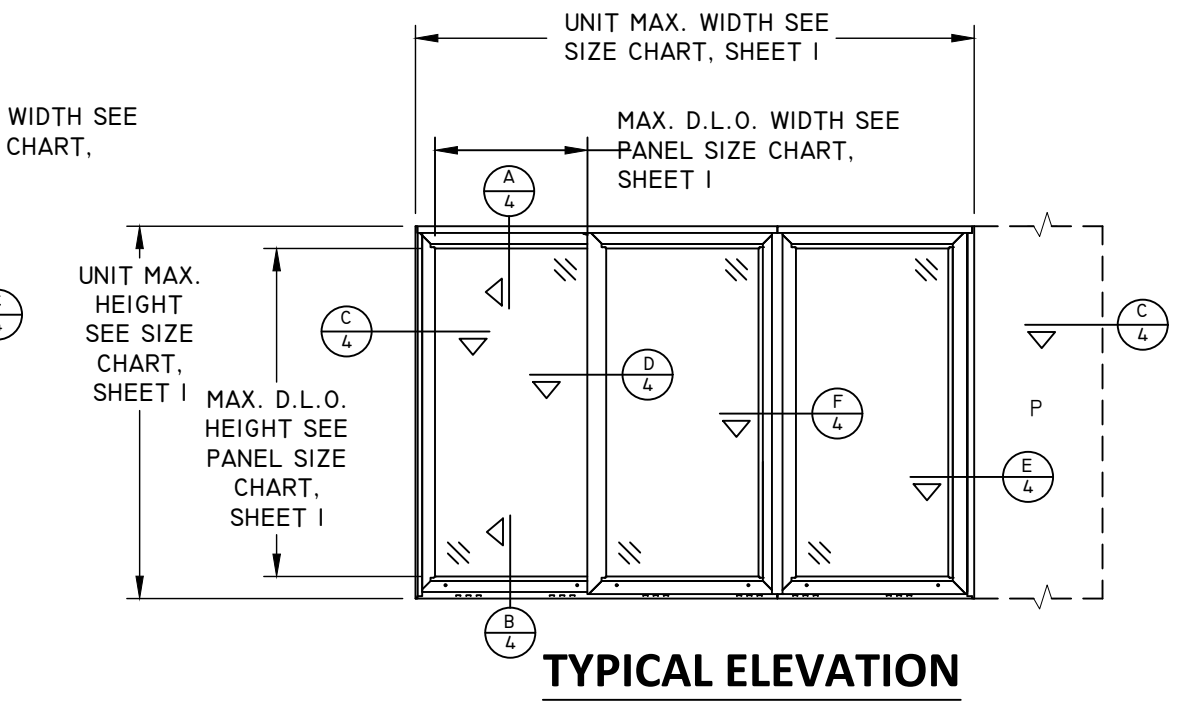
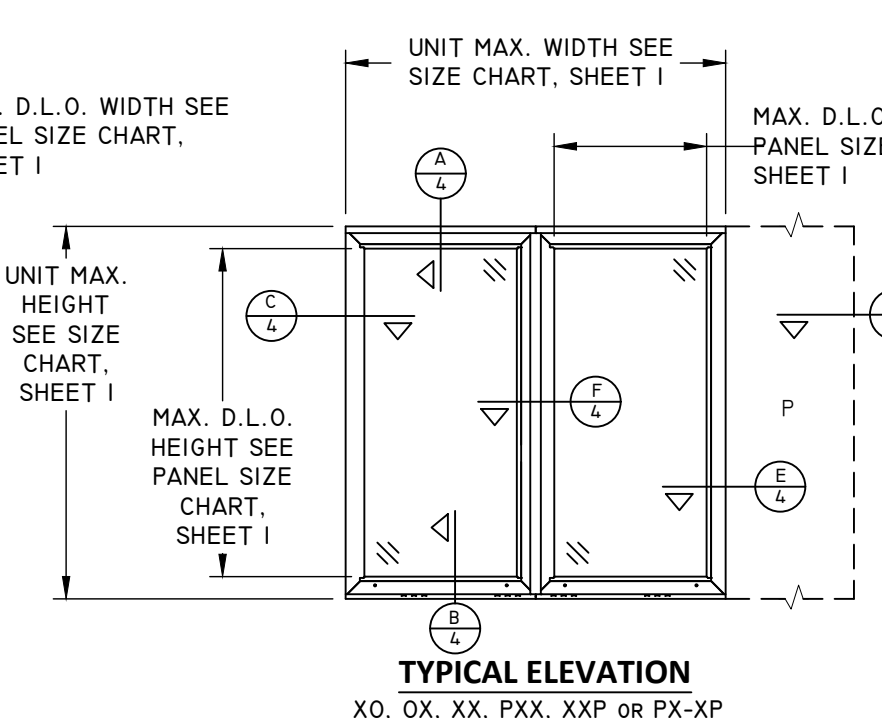
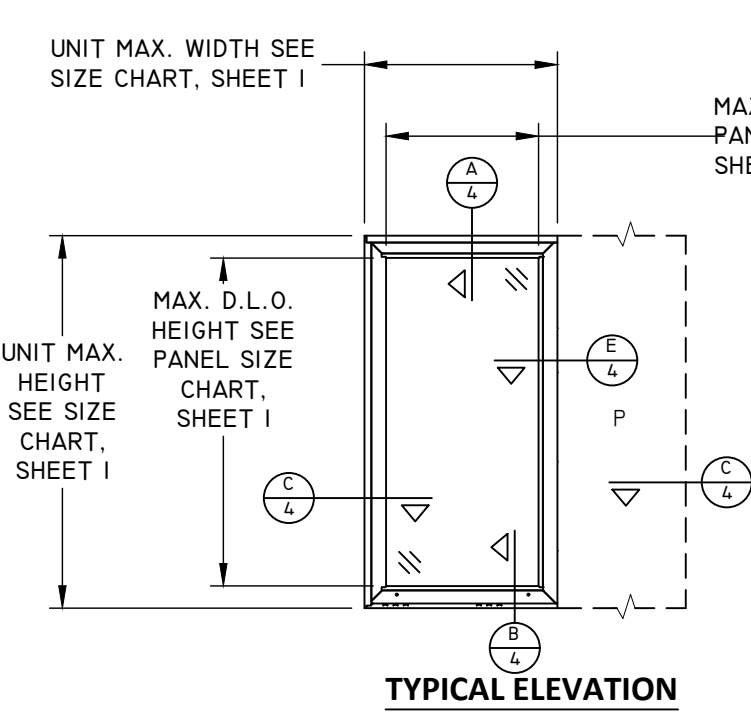
TITLE: MAXVIEW MULTI-SLIDE PATIO DOOR TABLE I	DATE			
	BY			
	REVISION DESCRIPTION			
	NO.			
DATE: 08/28/23	DWN BY: LMH	CHK BY: SAS	SCALE: NTS	



12/13/2023  
LUCAS A. TURNER, P.E.  
FL PE # 58201  
TURNER ENGINEERING & CONSULTING, INC.  
(COA # 29779)  
2428 OLD NATCHEZ TRACE TRAIL, CAMDEN, TN 38320  
PH. 941-380-1574

FL#: **41795**  
DWG #: **IN0612**  
SHEET: **2 OF 27**

TITLE: MAXVIEW MULTI-SLIDE PATIO DOOR CONFIGURATIONS & ELEVATIONS	DATE			
	BY			
	REVISION DESCRIPTION			
	NO.			
DATE: 08/28/23	DWN BY: LMH	CHK BY: SAS	SCALE: NTS	



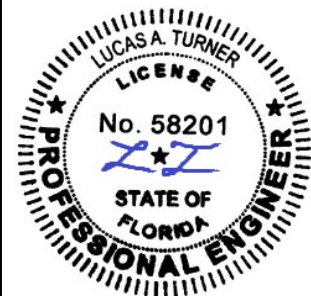
2 TRACK CONFIGURATIONS		
CONFIGURATION	# OF TRACKS	# OF PANELS
XP	2	1
PX	2	1
XXP	2	2
PXX	2	2
XX	2	2
XO	2	2
OX	2	2
PX-XP	2	2
OX-O	2	3
O-XO	2	3
PXX-XXP	2	4
OX-XO	2	4

3 TRACK CONFIGURATIONS		
CONFIGURATION	# OF TRACKS	# OF PANELS
XXXP	3	3
PXXX	3	3
XXX	3	3
XXO	3	3
OXX	3	3
PXXX-XXXP	3	6
OXX-XXO	3	6

4 TRACK CONFIGURATIONS		
CONFIGURATION	# OF TRACKS	# OF PANELS
XXXXP	4	4
PXXXX	4	4
XXXX	4	4
XXXO	4	4
OXXX	4	4

CONFIGURATION NOTES	
CODE	PANEL TYPE
O	FIXED PANEL
X	OPERATING PANEL
P	POCKET
-	BI-PARTING

**CONFIGURATION NOTES:**  
- ALL CONFIGURATIONS ARE AVAILABLE WITH POCKET AT EITHER OR BOTH JAMB LOCATIONS.

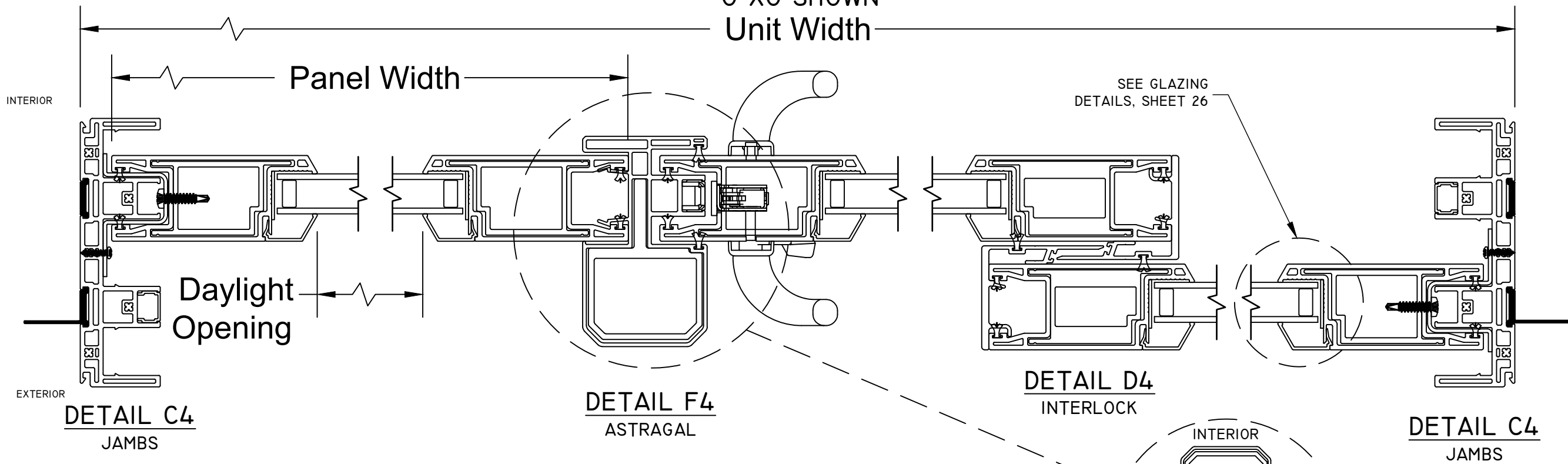


12/13/2023  
LUCAS A. TURNER, P.E.  
FL PE # 58201  
TURNER ENGINEERING & CONSULTING, INC.  
(COA # 29779)  
2428 OLD NATCHEZ TRACE TRAIL, CAMDEN, TN 38320  
PH. 941-380-1574

FL#: **41795**  
DWG #: **IN0612**  
SHEET: **3 OF 27**

# HORIZONTAL SECTION

O-XO SHOWN  
Unit Width

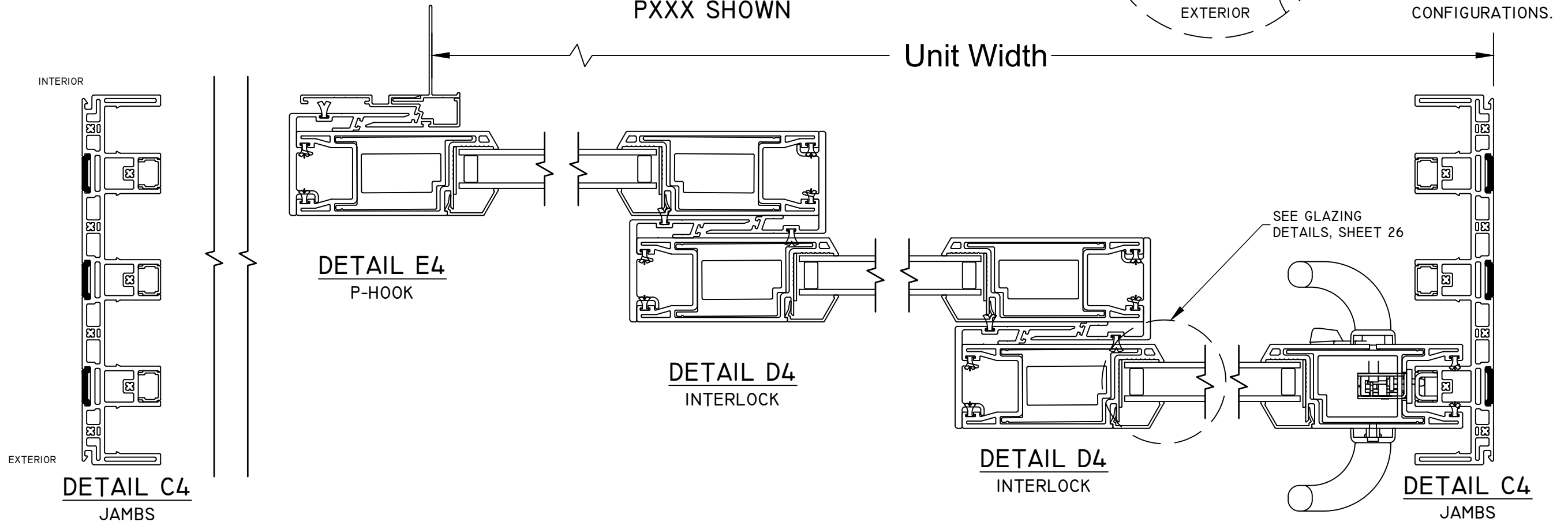


DP70 (+70/-80)

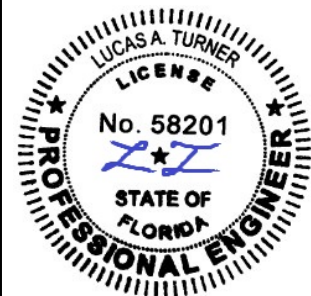
# HORIZONTAL SECTION

PXXX SHOWN

Unit Width



TITLE: MAXVIEW MULTI-SLIDE PATIO DOOR HORIZONTAL SECTION DETAILS	DATE	BY	DATE
	NO.	REVISION DESCRIPTION	
	DATE: 08/28/23	DWN BY: LMH	CHK BY: SAS
	SCALE: NTS		

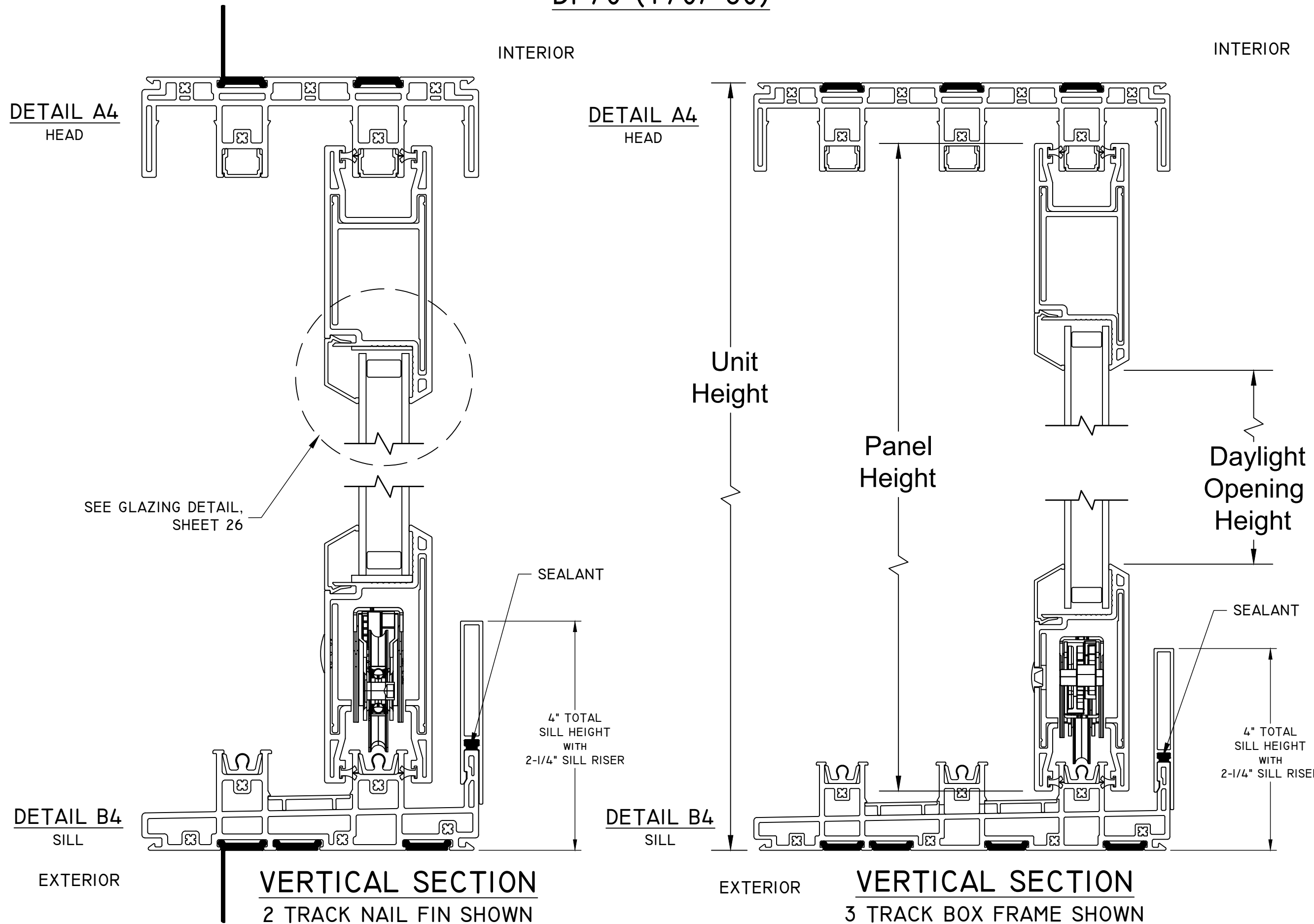


12/13/2023  
LUCAS A. TURNER, P.E.  
FL PE # 58201  
TURNER ENGINEERING &  
CONSULTING, INC.  
(COA # 29779)  
2428 OLD NATCHEZ TRACE  
TRAIL, CAMDEN, TN 38320  
PH. 941-380-1574

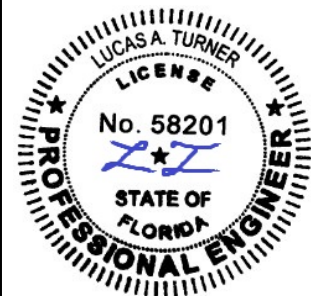
FL#: **41795**  
DWG #: **IN0612**  
SHEET: **4 OF 27**



**DP70 (+70/-80)**



TITLE: MAXVIEW MULTI-SLIDE PATIO DOOR VERTICAL SECTION DETAILS	DATE			
	BY			
	REVISION DESCRIPTION			
	NO.			
DATE: 08/28/23	DWN BY: LMH	CHK BY: SAS	SCALE: NTS	

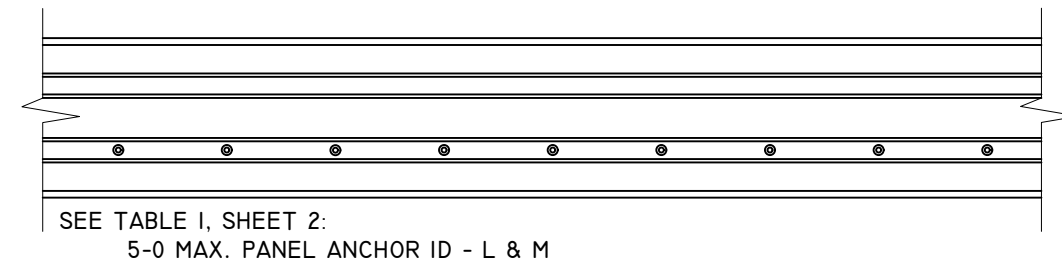
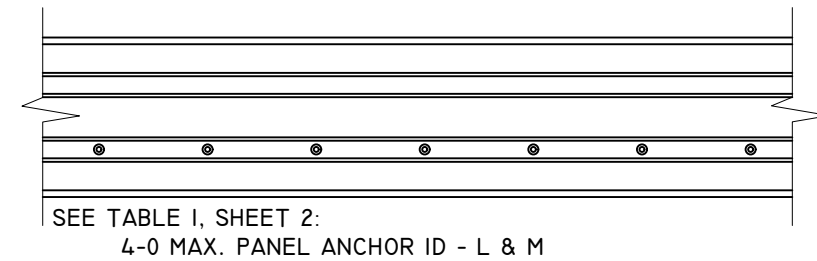
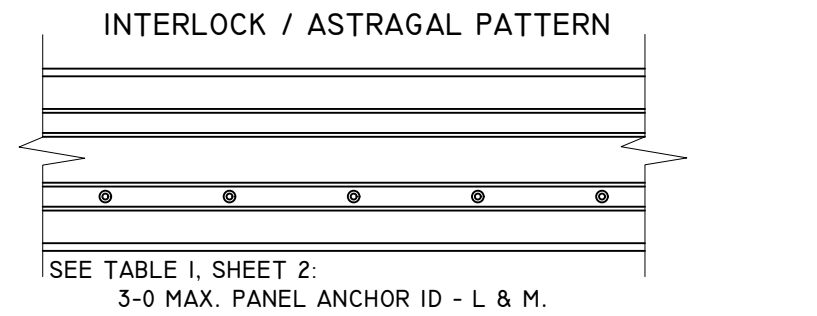
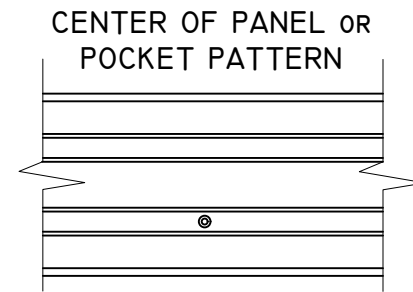
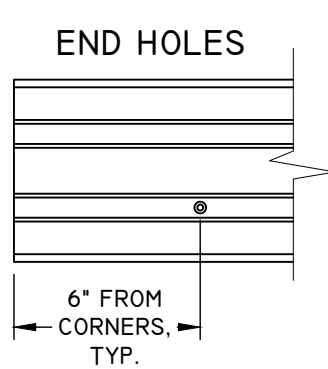
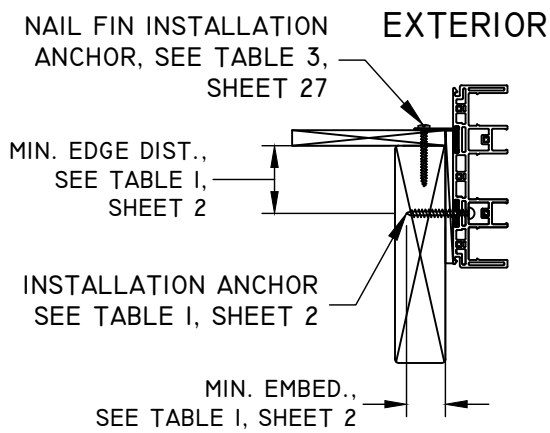


12/13/2023  
LUCAS A. TURNER, P.E.  
FL PE # 58201  
TURNER ENGINEERING & CONSULTING, INC.  
(COA # 29779)  
2428 OLD NATCHEZ TRACE TRAIL, CAMDEN, TN 38320  
PH. 941-380-1574

FL#: **41795**  
DWG #: **IN0612**  
SHEET: **5 OF 27**

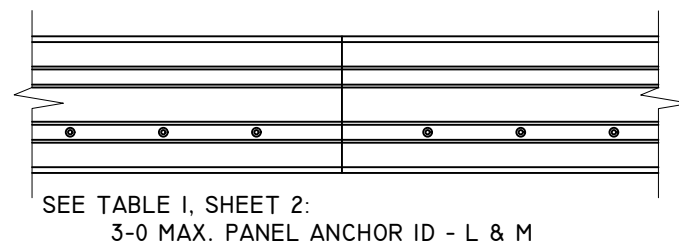
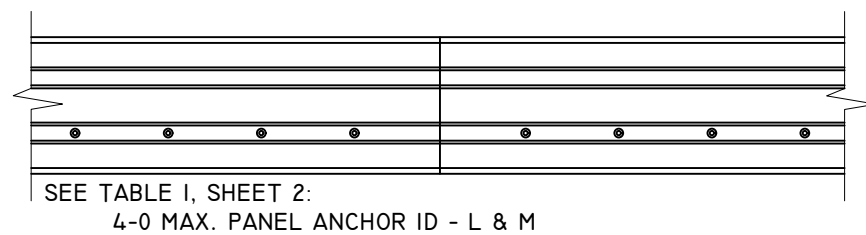
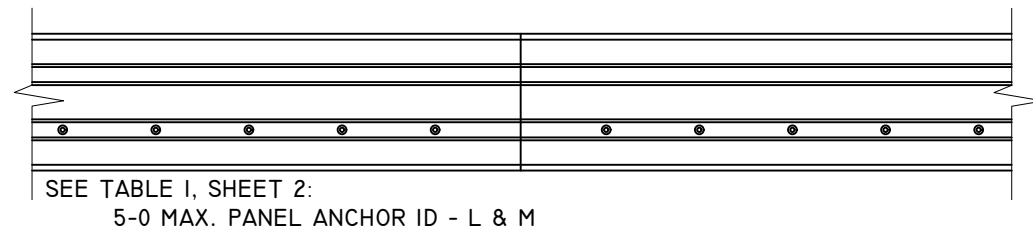
# 2 TRACK ANCHOR LAYOUT DETAILS WITH NAIL FIN - HEAD

## HEAD - DP70 (+70/-80)



INTERIOR

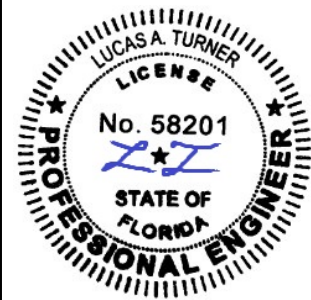
TYPICAL PATTERN AT SPLICE  
4" MIN. ON CENTER SPACING



### NOTES:

1. UNIT MUST BE INSTALLED WITH ANCHORS THROUGH FRAME AND THROUGH NAIL FIN SIMULTANEOUSLY.
2. 2X MIN. WOOD OR METAL INSTALLATIONS ONLY. WOOD OR METAL MAY BE INSTALLED BY OTHERS OVER CONCRETE/MASONRY NOT SHOWN.
3. SEE SHEET 27 FOR SUPPLEMENTAL INSTALLATION PATTERN THROUGH NAIL FIN, DETAIL A.
4. FRAME INSTALLATION HOLES ARE FABRICATED BY MANUFACTURER.
5. SEE TABLE 1, SHEET 2 FOR FASTENER MINIMUM EDGE DISTANCE, EMBEDMENT AND ON CENTER SPACING.
6. 1/4" MAX. SHIM STACK.
7. SPLICE DETAIL, SEE SHEET 26.

TITLE: MAXVIEW MULTI-SLIDE PATIO DOOR ANCHOR LAYOUT	DATE			
	BY			
	REVISION DESCRIPTION			
	NO.			
DATE: 08/28/23	DWN BY: LMH	CHK BY: SAS	SCALE: NTS	



12/13/2023  
LUCAS A. TURNER, P.E.  
FL PE # 58201  
TURNER ENGINEERING & CONSULTING, INC.  
(COA # 29779)  
2428 OLD NATCHEZ TRACE  
TRAIL, CAMDEN, TN 38320  
PH. 941-380-1574

FL#: 41795

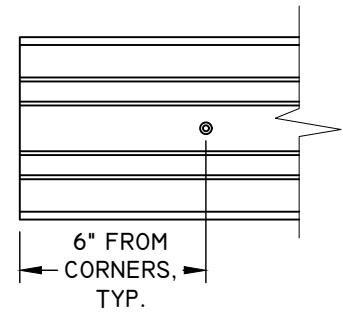
DWG #: IN0612

SHEET: 6 OF 27

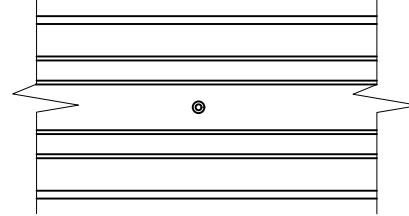
# 2 TRACK ANCHOR LAYOUT DETAILS WITH NAIL FIN - SILL

## SILL - DP70 (+70/-80)

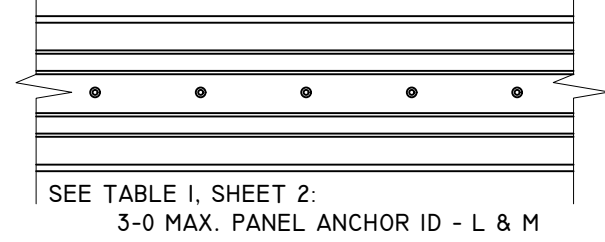
END HOLES



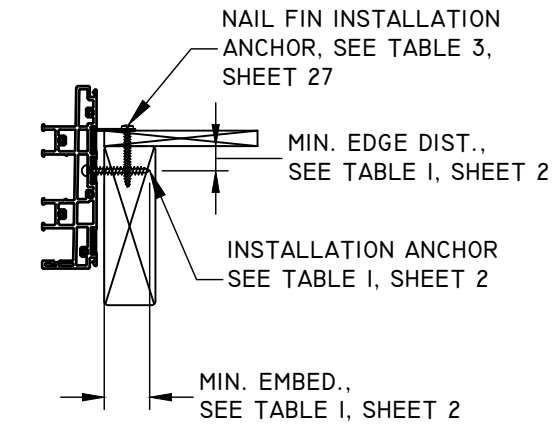
CENTER OF PANEL OR POCKET PATTERN



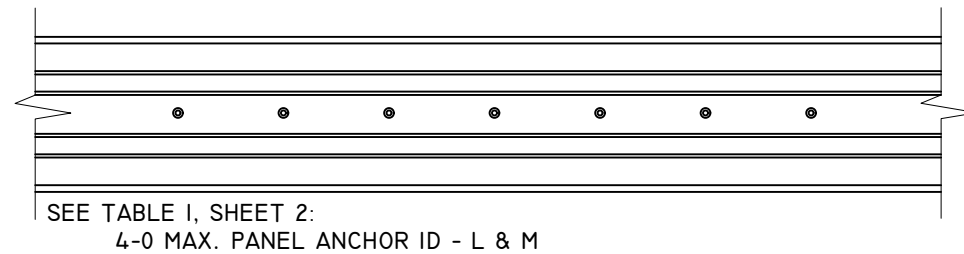
INTERLOCK / ASTRAGAL PATTERN



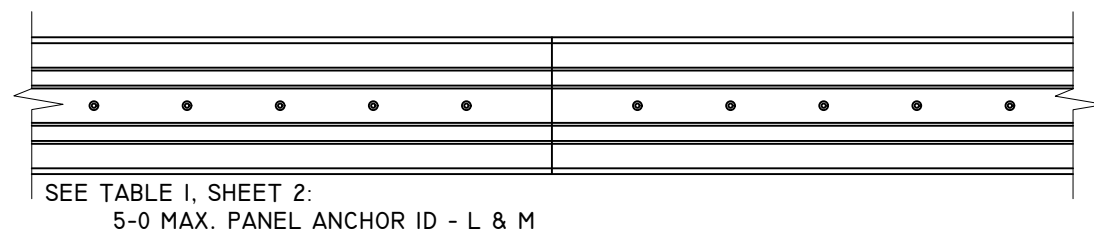
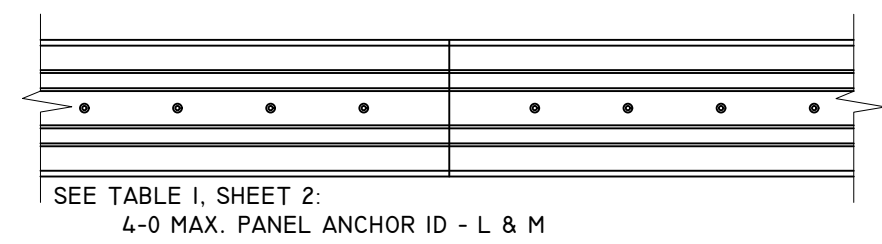
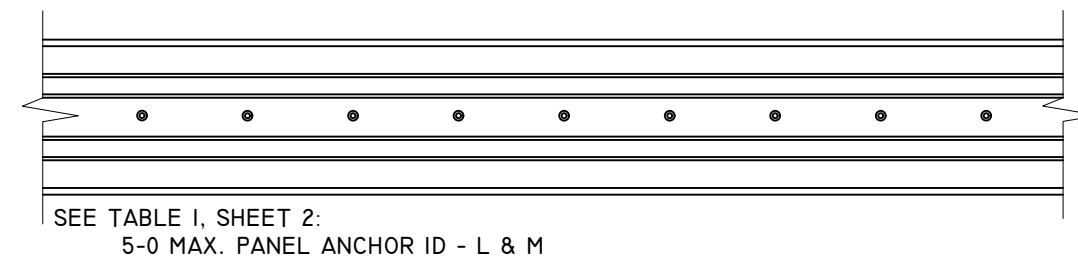
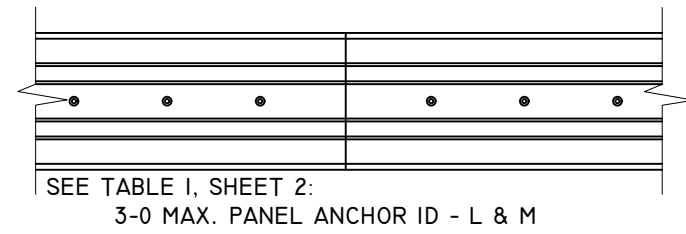
EXTERIOR



INTERIOR



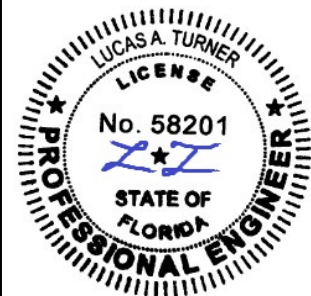
TYPICAL PATTERN AT SPLICE  
4" MIN. ON CENTER SPACING



**NOTES:**

1. UNIT MUST BE INSTALLED WITH ANCHORS THROUGH FRAME AND THROUGH NAIL FIN SIMULTANEOUSLY.
2. 2X MIN. WOOD OR METAL INSTALLATIONS ONLY. WOOD OR METAL MAY BE INSTALLED BY OTHERS OVER CONCRETE/MASONRY, NOT SHOWN.
3. SEE SHEET 27 FOR SUPPLEMENTAL INSTALLATION PATTERN THROUGH NAIL FIN, DETAIL B - ALTERNATE.
4. FRAME INSTALLATION HOLES ARE FABRICATED BY MANUFACTURER.
5. SEE TABLE I, SHEET 2 FOR FASTENER MINIMUM EDGE DISTANCE, EMBEDMENT AND ON CENTER SPACING.
6. 1/4" MAX. SHIM STACK.
7. SPLICE DETAIL, SEE SHEET 26.
8. FILL ALL PRE-DRILLED INSTALLATION HOLES WITH EXTERIOR GRADE SEALANT PRIOR TO INSERTING SCREWS AND APPLY SEALANT OVER THE HEAD OF SCREWS ONCE PROPERLY SEATED.

TITLE: MAXVIEW MULTI-SLIDE PATIO DOOR ANCHOR LAYOUT	DATE			
	DWN BY:	LMH		
	CHK BY:	SAS		
	SCALE:	NTS		
	NO.			
	REVISION DESCRIPTION			
	BY			
	DATE			



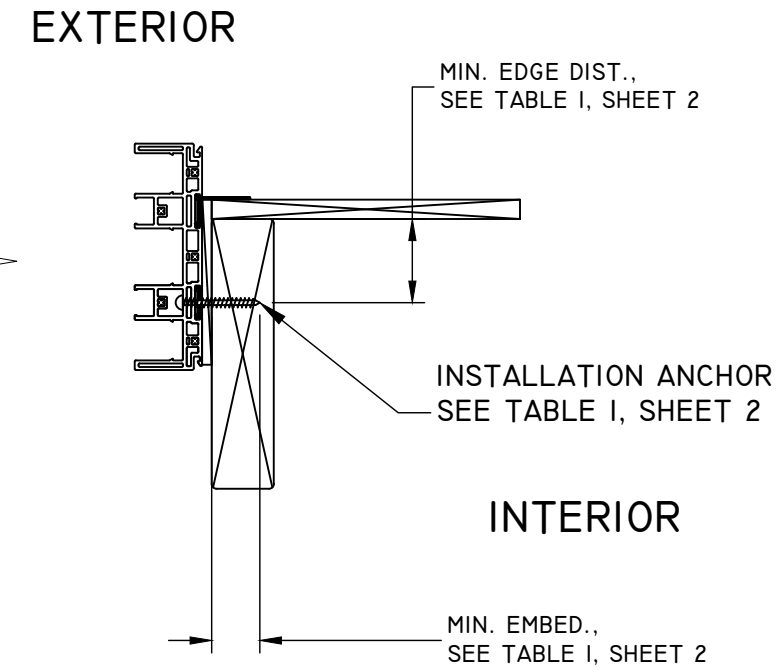
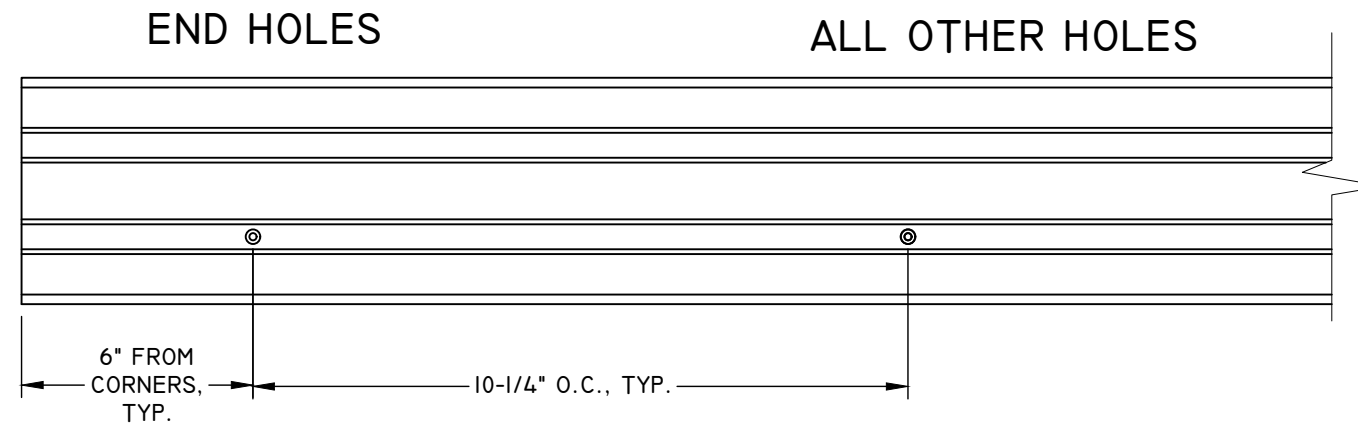
12/13/2023  
LUCAS A. TURNER, P.E.  
FL PE # 58201  
TURNER ENGINEERING & CONSULTING, INC.  
(COA # 29779)  
2428 OLD NATCHEZ TRACE TRAIL, CAMDEN, TN 38320  
PH. 941-380-1574

FL#: 41795  
DWG #: IN0612  
SHEET: 7 OF 27

# 2 TRACK ANCHOR LAYOUT DETAILS WITH NAIL FIN - JAMBS

## JAMB - DP70 (+70/-80)

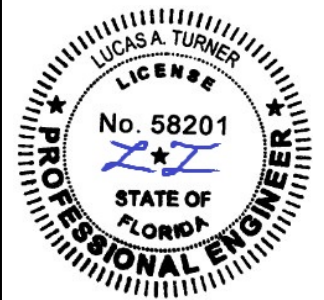
SEE TABLE I, SHEET 2:  
ANCHOR ID - L & M



**NOTES:**

1. INSTALLATION HOLES ARE FABRICATED BY MANUFACTURER.
2. SEE TABLE I, SHEET 2 FOR FASTENER MINIMUM EDGE DISTANCE, EMBEDMENT AND ON CENTER SPACING.
2. 2X MIN. WOOD OR METAL INSTALLATIONS ONLY. WOOD OR METAL MAY BE INSTALLED BY OTHERS OVER CONCRETE/MASONRY NOT SHOWN.
3. 1/4" MAX. SHIM STACK.
4. FILL LEFT & RIGHT PRE-DRILLED JAMB INSTALLATION HOLES - 6" FROM CORNER OF SILL ONLY, WITH EXTERIOR GRADE SEALANT PRIOR TO INSERTING SCREWS AND APPLY SEALANT OVER THE HEAD OF THE SCREWS ONCE PROPERLY SEATED.

TITLE: MAXVIEW MULTI-SLIDE PATIO DOOR ANCHOR LAYOUT	DATE			
	BY			
NO.	REVISION DESCRIPTION			
DATE: 08/28/23	DWN BY: LMH	CHK BY: SAS	SCALE: NTS	



12/13/2023  
LUCAS A. TURNER, P.E.  
FL PE # 58201  
TURNER ENGINEERING & CONSULTING, INC.  
(COA # 29779)  
2428 OLD NATCHEZ TRACE  
TRAIL, CAMDEN, TN 38320  
PH. 941-380-1574

FL#: 41795

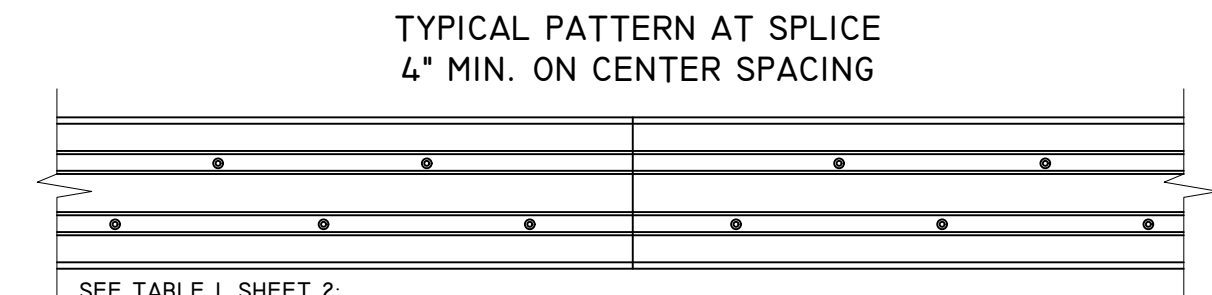
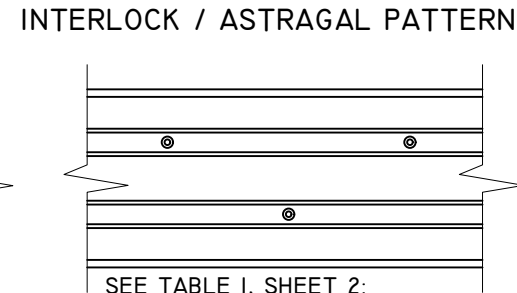
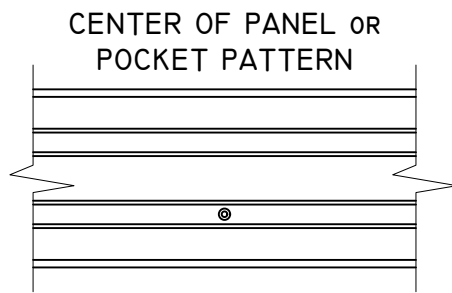
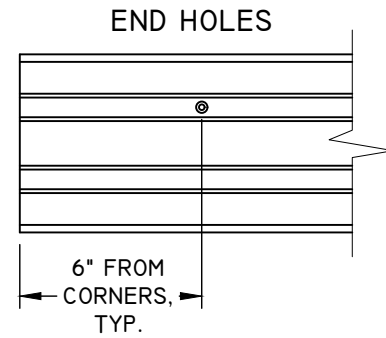
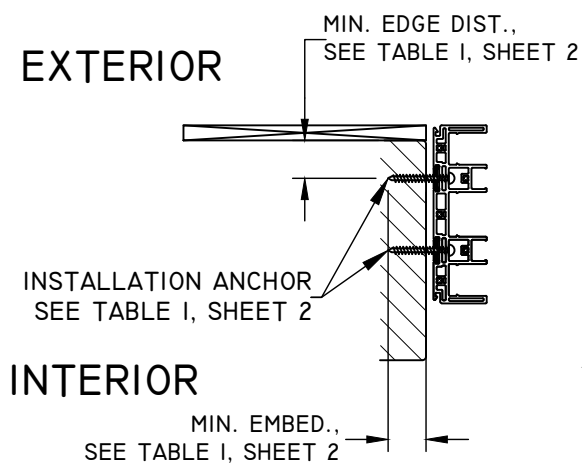
DWG #: IN0612

SHEET: 8 OF 27

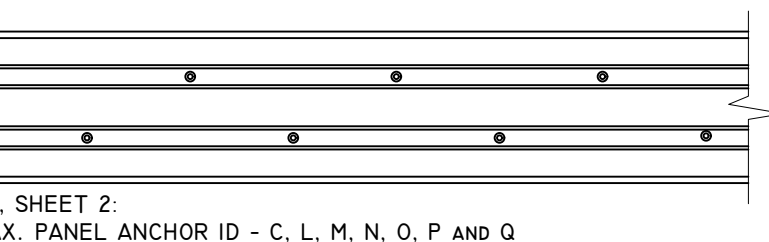
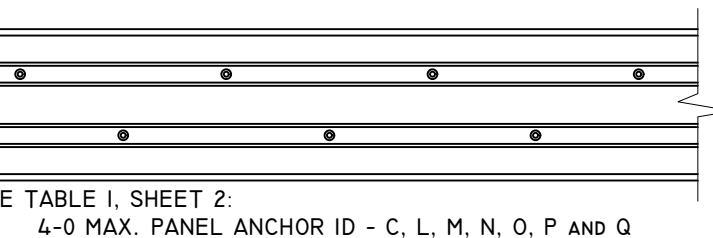
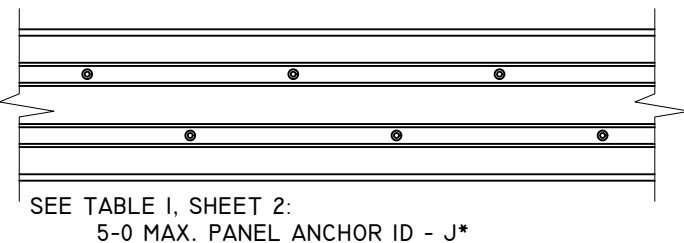
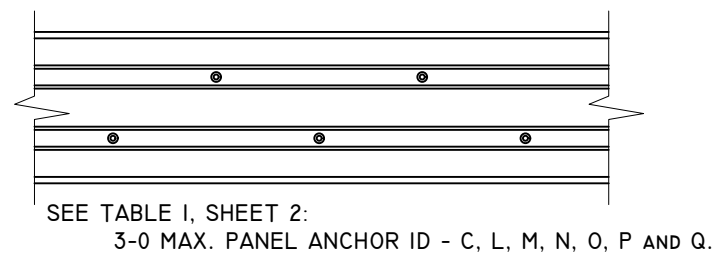
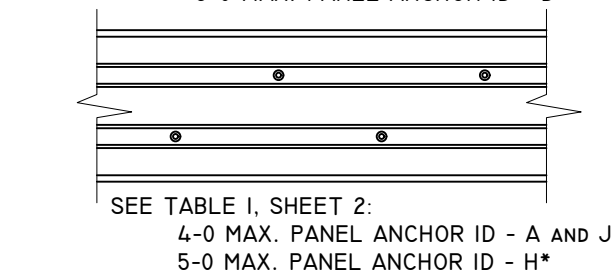
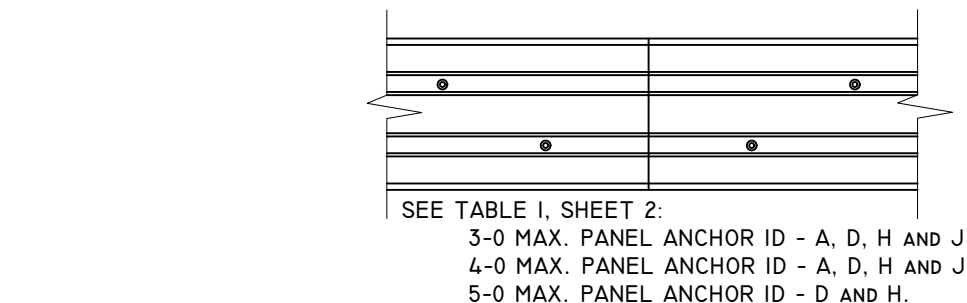
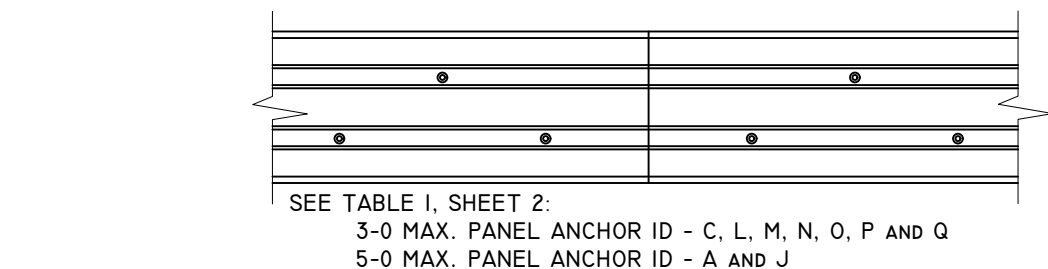
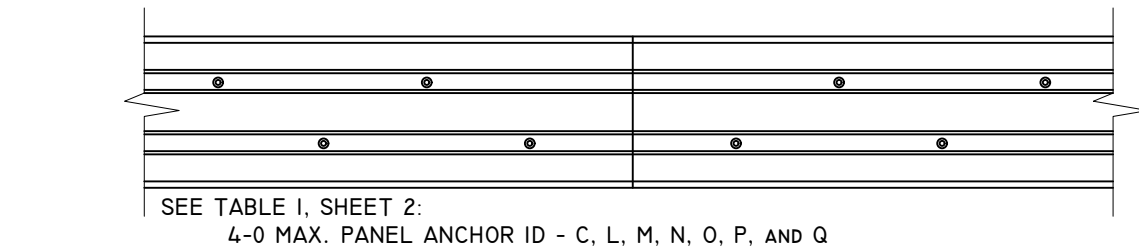


# 2 TRACK ANCHOR LAYOUT DETAILS BOX FRAME - HEAD

## HEAD - DP70 (+70/-80)



SEE TABLE I, SHEET 2:  
5-0 MAX. PANEL ANCHOR ID - C, L, M, N, O, P, AND Q



**NOTES:**

1. INTERLOCK/ASTRAGAL INSTALLATION HOLES ARE FABRICATED BY MANUFACTURER. EXCEPTION: ANCHORS H & J.
  - 1.1. ANCHOR H\*: 5-0 PANELS REQUIRE 4 ANCHOR PER CLUSTER, 3 INSTALLATION HOLES ARE PRE-DRILLED BY MANUFACTURER.
2. SEE TABLE I, SHEET 2 FOR FASTENER MINIMUM EDGE DISTANCE, EMBEDMENT AND ON CENTER SPACING.
3. 1X WOOD BUCK BY OTHERS IS OPTIONAL FOR MASONRY APPLICATIONS.
4. 1/4" MAX. SHIM STACK.
5. SPLICE DETAIL, SEE SHEET 26.

TITLE: MAXVIEW MULTI-SLIDE PATIO DOOR ANCHOR LAYOUT	DATE			
	BY			
	REVISION DESCRIPTION			
NO.				
DATE: 08/28/23	DWN BY: LMH	CHK BY: SAS	SCALE: NTS	



12/13/2023  
LUCAS A. TURNER, P.E.  
FL PE # 58201  
TURNER ENGINEERING & CONSULTING, INC.  
(COA # 29779)  
2428 OLD NATCHEZ TRACE TRAIL, CAMDEN, TN 38320  
PH. 941-380-1574

FL#: **41795**  
DWG #: **IN0612**  
SHEET: **9 OF 27**

# 2 TRACK ANCHOR LAYOUT DETAILS BOX FRAME - SILL

## SILL - DP70 (+70/-80)

**NOTES:**

1. INTERLOCK/ASTRAGAL INSTALLATION HOLES ARE FABRICATED BY MANUFACTURER. EXCEPTION: ANCHORS H & J.

1.1. ANCHOR H\*: 5-0 PANELS REQUIRE 4 ANCHOR PER CLUSTER, 3 INSTALLATION HOLES ARE PRE-DRILLED BY MANUFACTURER.

2. SEE TABLE I, SHEET 2 FOR FASTENER MINIMUM EDGE DISTANCE, EMBEDMENT AND ON CENTER SPACING.

3. 1X WOOD BUCK BY OTHERS IS OPTIONAL FOR MASONRY APPLICATIONS.

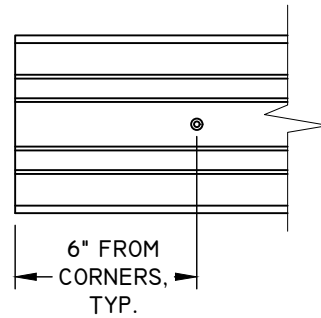
4. SILL NAIL FIN IS OPTIONAL.

5. 1/4" MAX. SHIM STACK.

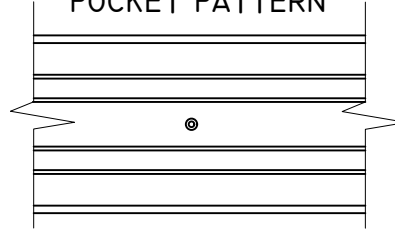
6. SPLICE DETAIL, SEE SHEET 26.

7. FILL ALL PRE-DRILLED INSTALLATION HOLES WITH EXTERIOR GRADE SEALANT PRIOR TO INSERTING SCREWS AND APPLY SEALANT OVER THE HEAD OF SCREWS ONCE PROPERLY SEATED.

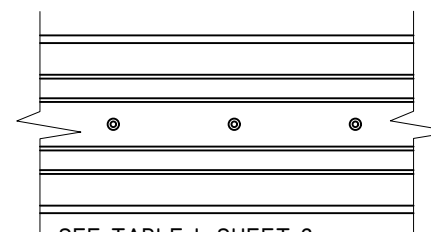
END HOLES



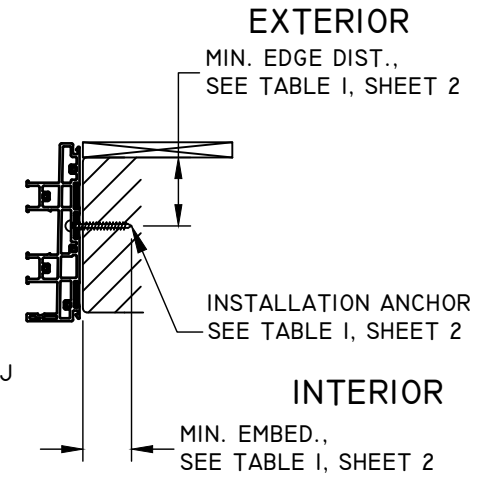
CENTER OF PANEL OR POCKET PATTERN



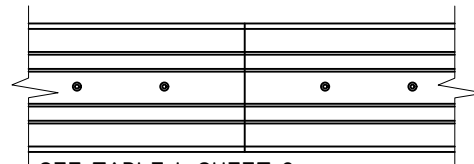
INTERLOCK / ASTRAGAL PATTERN



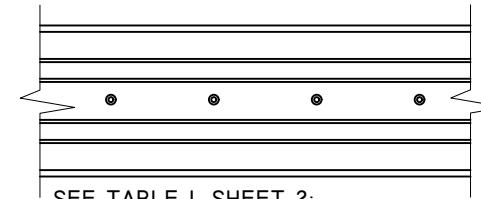
SEE TABLE I, SHEET 2:  
3-0 MAX. PANEL ANCHOR ID - A, D, H AND J  
4-0 MAX. PANEL ANCHOR ID - D AND H  
5-0 MAX. PANEL ANCHOR ID - D



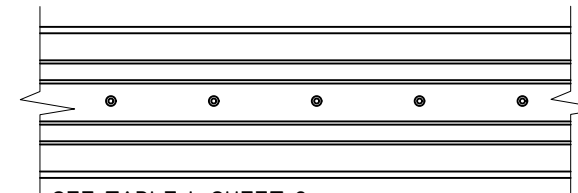
TYPICAL PATTERN AT SPLICE  
4" MIN. ON CENTER SPACING



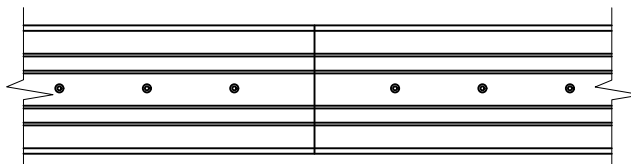
SEE TABLE I, SHEET 2:  
3-0 MAX. PANEL ANCHOR ID - A, D, H AND J  
4-0 MAX. PANEL ANCHOR ID - A, D, H AND J  
5-0 MAX. PANEL ANCHOR ID - D AND H.



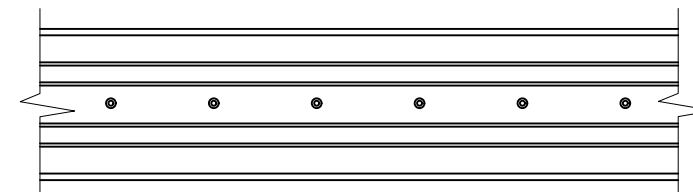
SEE TABLE I, SHEET 2:  
4-0 MAX. PANEL ANCHOR ID - A AND J  
5-0 MAX. PANEL ANCHOR ID - H\*



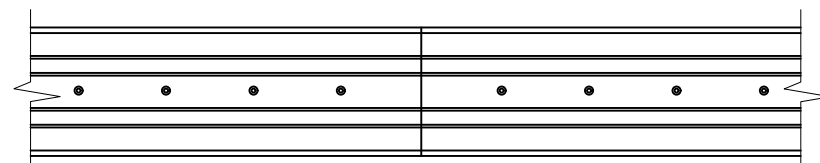
SEE TABLE I, SHEET 2:  
3-0 MAX. PANEL ANCHOR ID - C, L, M, N, O, P AND Q.



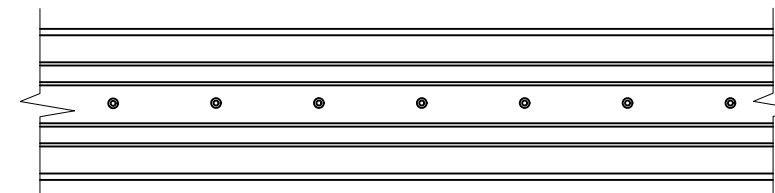
SEE TABLE I, SHEET 2:  
3-0 MAX. PANEL ANCHOR ID - C, L, M, N, O, P AND Q  
5-0 MAX. PANEL ANCHOR ID - A AND J



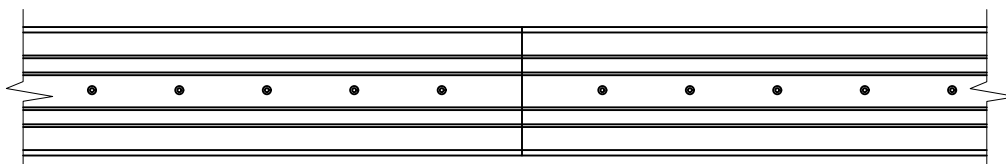
SEE TABLE I, SHEET 2:  
5-0 MAX. PANEL ANCHOR ID - J\*



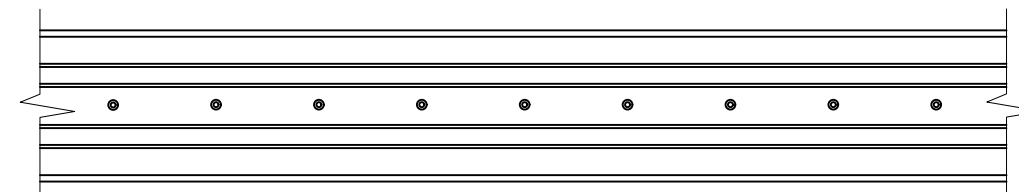
SEE TABLE I, SHEET 2:  
4-0 MAX. PANEL ANCHOR ID - C, L, M, N, O, P, AND Q



SEE TABLE I, SHEET 2:  
4-0 MAX. PANEL ANCHOR ID - C, L, M, N, O, P AND Q



SEE TABLE I, SHEET 2:  
5-0 MAX. PANEL ANCHOR ID - C, L, M, N, O, P, AND Q



SEE TABLE I, SHEET 2:  
5-0 MAX. PANEL ANCHOR ID - C, L, M, N, O, P AND Q

TITLE: MAXVIEW MULTI-SLIDE PATIO DOOR ANCHOR LAYOUT	DATE			
	BY			
NO.	REVISION DESCRIPTION			
DATE: 08/28/23	DWN BY: LMH	CHK BY: SAS	SCALE: NTS	



12/13/2023  
LUCAS A. TURNER, P.E.  
FL PE # 58201  
TURNER ENGINEERING & CONSULTING, INC.  
(COA # 29779)  
2428 OLD NATCHEZ TRACE TRAIL, CAMDEN, TN 38320  
PH. 941-380-1574

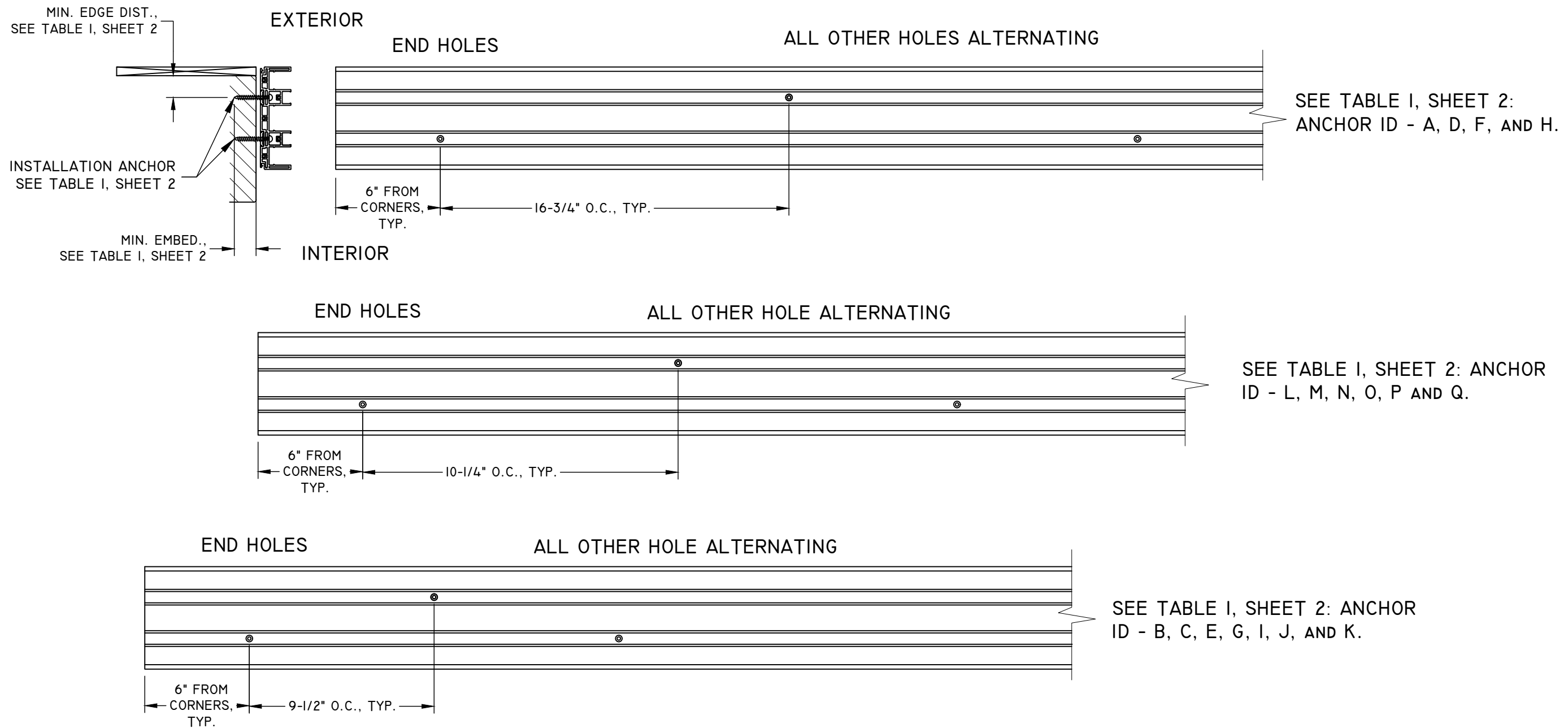
FL#: 41795

DWG #: IN0612

SHEET: 10 OF 27

# 2 TRACK ANCHOR LAYOUT DETAILS BOX FRAME - JAMBS

## JAMB - DP70 (+70/-80)



**NOTES:**

1. INSTALLATION HOLES ARE FABRICATED BY MANUFACTURER.
2. SEE TABLE I, SHEET 2 FOR FASTENER MINIMUM EDGE DISTANCE, EMBEDMENT AND ON CENTER SPACING.
3. IX WOOD BUCK BY OTHERS IS OPTIONAL FOR MASONRY APPLICATIONS.
4. 1/4" MAX. SHIM STACK.
5. FILL LEFT & RIGHT PRE-DRILLED JAMB INSTALLATION HOLES - 6" FROM CORNER OF SILL ONLY, WITH EXTERIOR GRADE SEALANT PRIOR TO INSERTING SCREWS AND APPLY SEALANT OVER THE HEAD OF THE SCREWS ONCE PROPERLY SEATED.

TITLE: MAXVIEW MULTI-SLIDE PATIO DOOR ANCHOR LAYOUT	DATE			
	BY			
	REVISION DESCRIPTION			
	NO.			
DATE: 08/28/23	DWN BY: LMH	CHK BY: SAS	SCALE: NTS	

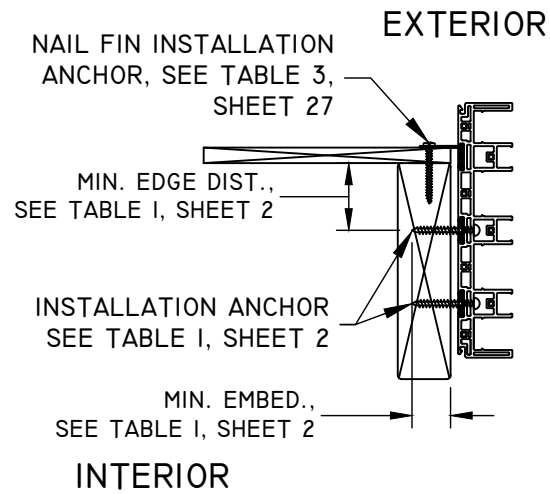


12/13/2023  
LUCAS A. TURNER, P.E.  
FL PE # 58201  
TURNER ENGINEERING & CONSULTING, INC.  
(COA # 29779)  
2428 OLD NATCHEZ TRACE  
TRAIL, CAMDEN, TN 38320  
PH. 941-380-1574

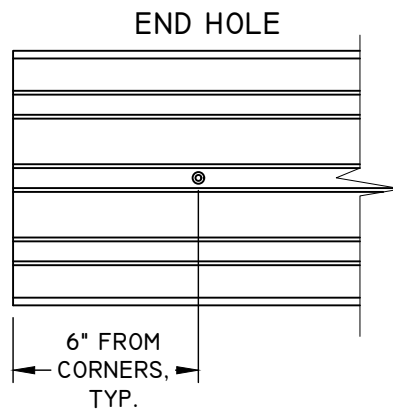
FL#:	41795
DWG #:	IN0612
SHEET:	11 OF 27

# 3 TRACK ANCHOR LAYOUT DETAILS WITH NAIL FIN - HEAD

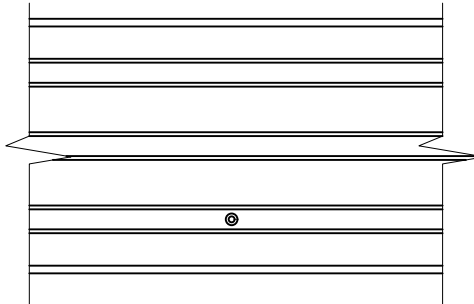
## HEAD - DP70 (+70/-80)



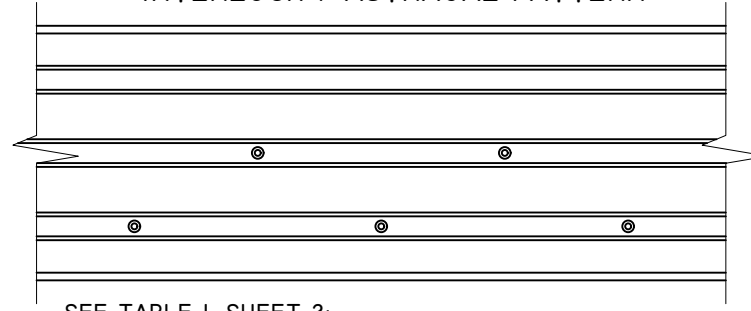
EXTERIOR



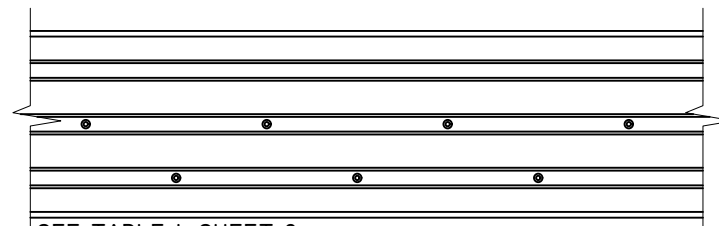
CENTER OF PANEL OR POCKET PATTERN



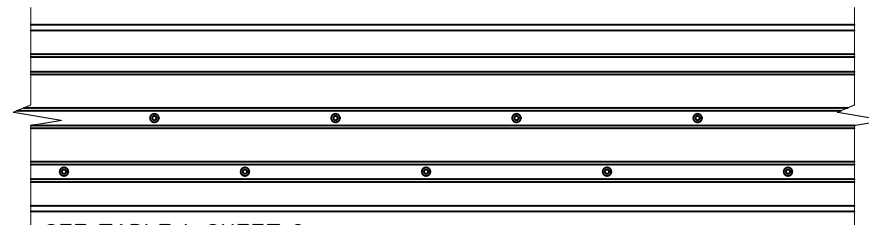
INTERLOCK / ASTRAGAL PATTERN



SEE TABLE I, SHEET 2:  
3-0 MAX. PANEL ANCHOR ID - L & M

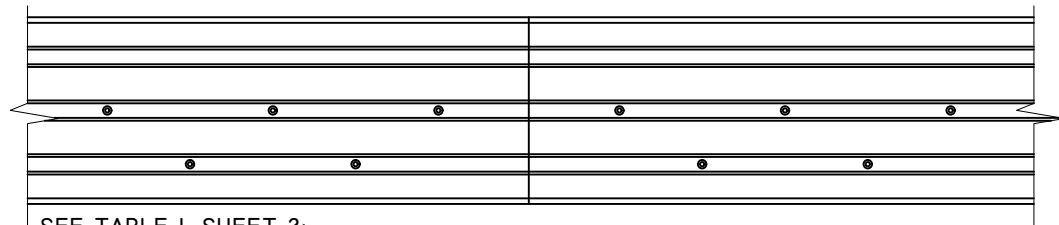


SEE TABLE I, SHEET 2:  
4-0 MAX. PANEL ANCHOR ID - L & M

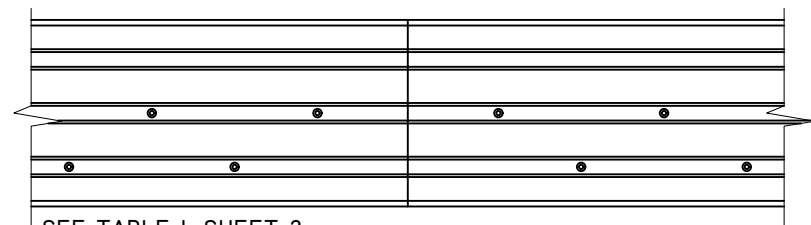


SEE TABLE I, SHEET 2:  
5-0 MAX. PANEL ANCHOR ID - L & M

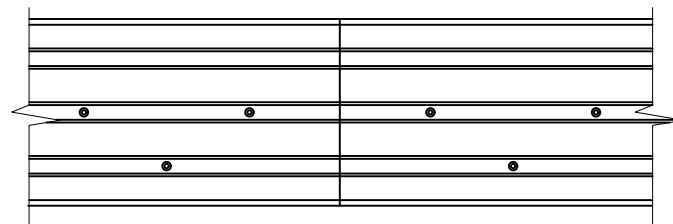
TYPICAL PATTERN AT SPLICE  
4" MIN. ON CENTER SPACING



SEE TABLE I, SHEET 2:  
5-0 MAX. PANEL ANCHOR ID - L & M



SEE TABLE I, SHEET 2:  
4-0 MAX. PANEL ANCHOR ID - L & M



SEE TABLE I, SHEET 2:  
3-0 MAX. PANEL ANCHOR ID - L & M

### NOTES:

1. UNIT MUST BE INSTALLED WITH ANCHORS THROUGH FRAME AND THROUGH NAIL FIN SIMULTANEOUSLY.
2. 2X MIN. WOOD OR METAL INSTALLATIONS ONLY. WOOD OR METAL MAY BE INSTALLED BY OTHERS OVER CONCRETE/MASONRY NOT SHOWN.
3. SEE SHEET 27 FOR SUPPLEMENTAL INSTALLATION PATTERN THROUGH NAIL FIN, DETAIL A.
4. FRAME INSTALLATION HOLES ARE FABRICATED BY MANUFACTURER.
5. SEE TABLE I, SHEET 2 FOR FASTENER MINIMUM EDGE DISTANCE, EMBEDMENT AND ON CENTER SPACING.
6. 1/4" MAX. SHIM STACK.
7. SPLICE DETAIL, SEE SHEET 26.

TITLE: MAXVIEW MULTI-SLIDE PATIO DOOR ANCHOR LAYOUT	DATE			
	BY			
	REVISION DESCRIPTION			
	NO.			
DATE: 08/28/23	DWN BY: LMH	CHK BY: SAS	SCALE: NTS	



12/13/2023  
LUCAS A. TURNER, P.E.  
FL PE # 58201  
TURNER ENGINEERING & CONSULTING, INC.  
(COA # 29779)  
2428 OLD NATCHEZ TRACE TRAIL, CAMDEN, TN 38320  
PH. 941-380-1574

FL#: 41795

DWG #: IN0612

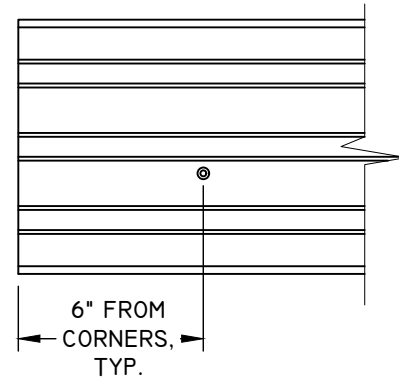
SHEET: 12 OF 27



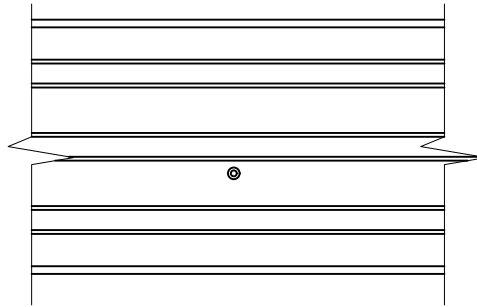
# 3 TRACK ANCHOR LAYOUT DETAILS WITH NAIL FIN - SILL

## SILL - DP70 (+70/-80)

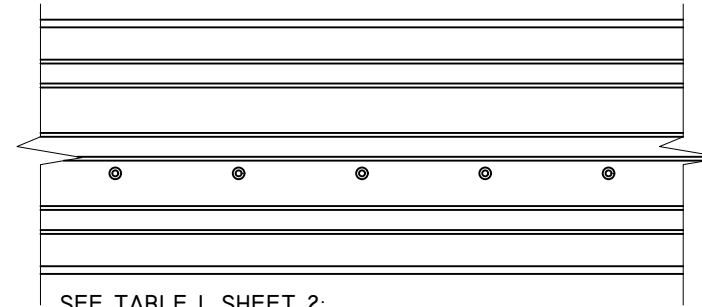
END HOLES



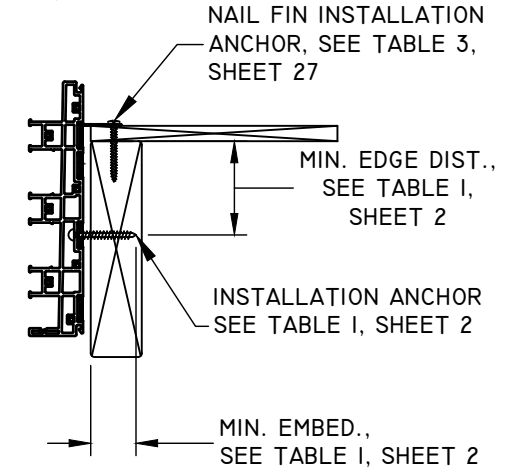
CENTER OF PANEL OR POCKET PATTERN



INTERLOCK / ASTRAGAL PATTERN

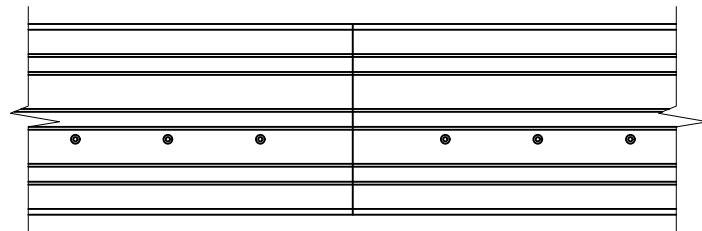


EXTERIOR

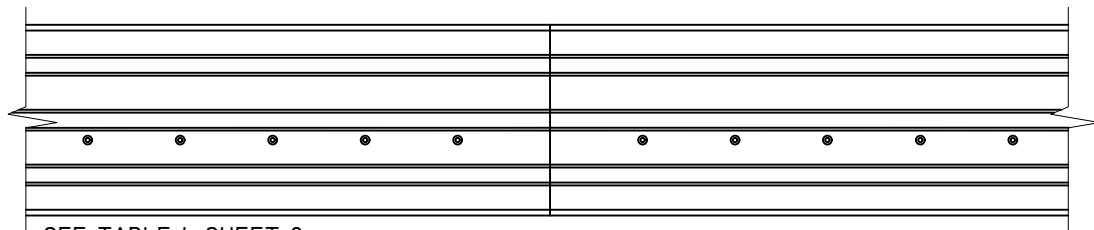
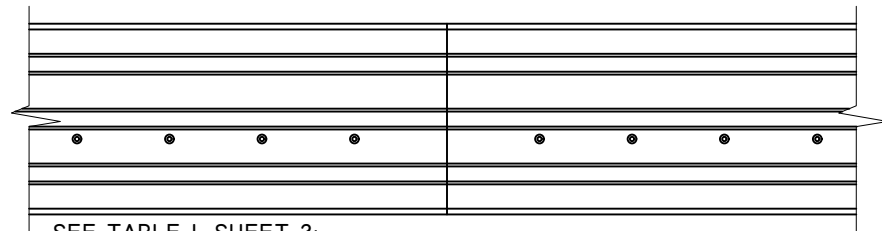
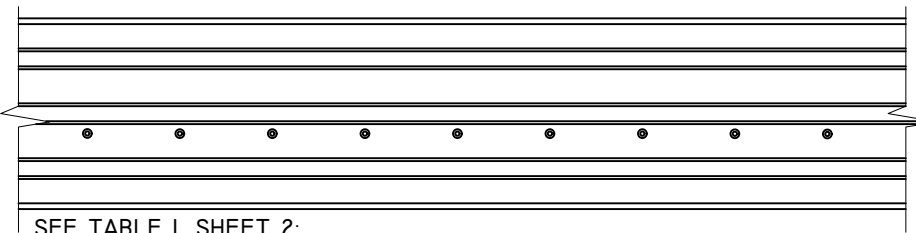
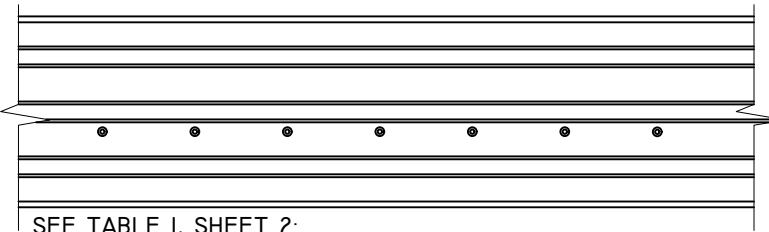


INTERIOR

TYPICAL PATTERN AT SPLICE  
4" MIN. ON CENTER SPACING



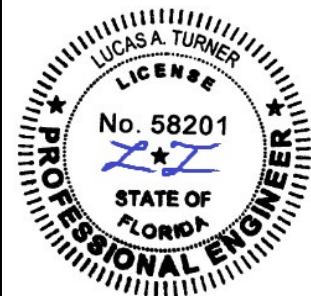
SEE TABLE I, SHEET 2:  
3-0 MAX. PANEL ANCHOR ID - L & M



**NOTES:**

1. UNIT MUST BE INSTALLED WITH ANCHORS THROUGH FRAME AND THROUGH NAIL FIN SIMULTANEOUSLY.
2. 2X MIN. WOOD OR METAL INSTALLATIONS ONLY. WOOD OR METAL MAY BE INSTALLED BY OTHERS OVER CONCRETE/MASONRY, NOT SHOWN.
3. SEE SHEET 27 FOR SUPPLEMENTAL INSTALLATION PATTERN THROUGH NAIL FIN, DETAIL B - ALTERNATE.
4. FRAME INSTALLATION HOLES ARE FABRICATED BY MANUFACTURER.
5. SEE TABLE I, SHEET 2 FOR FASTENER MINIMUM EDGE DISTANCE, EMBEDMENT AND ON CENTER SPACING.
6. 1/4" MAX. SHIM STACK.
7. SPLICE DETAIL, SEE SHEET 26.
8. FILL ALL PRE-DRILLED INSTALLATION HOLES WITH EXTERIOR GRADE SEALANT PRIOR TO INSERTING SCREWS AND APPLY SEALANT OVER THE HEAD OF SCREWS ONCE PROPERLY SEATED.

TITLE: MAXVIEW MULTI-SLIDE PATIO DOOR ANCHOR LAYOUT	DATE			
	BY			
	REVISION DESCRIPTION			
	NO.			
DATE: 08/28/23	DWN BY: LMH	CHK BY: SAS	SCALE: NTS	



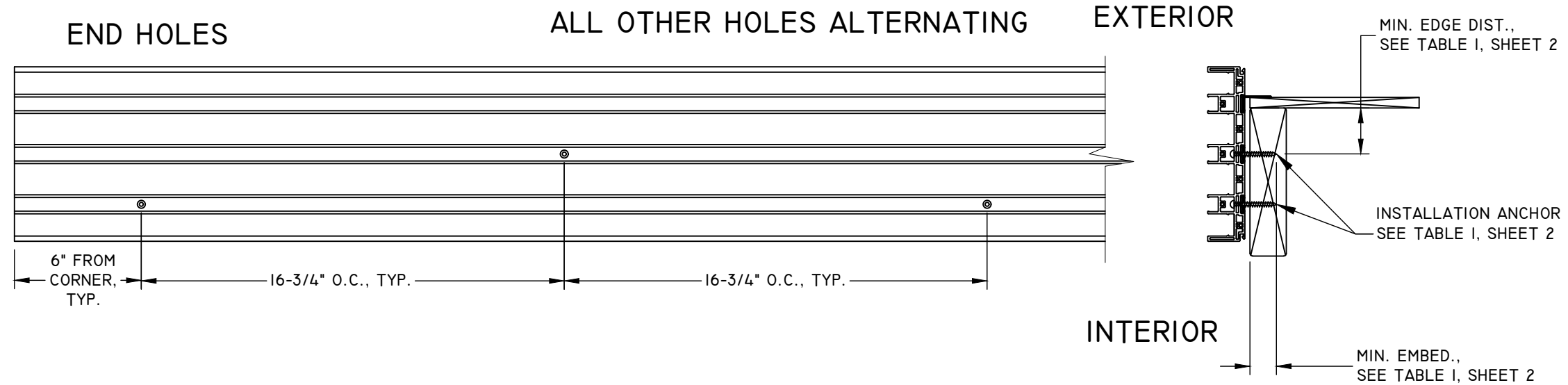
12/13/2023  
LUCAS A. TURNER, P.E.  
FL PE # 58201  
TURNER ENGINEERING & CONSULTING, INC.  
(COA # 29779)  
2428 OLD NATCHEZ TRACE TRAIL, CAMDEN, TN 38320  
PH. 941-380-1574

FL#: 41795  
DWG #: IN0612  
SHEET: 13 OF 27

# 3 TRACK ANCHOR LAYOUT DETAILS WITH NAIL FIN - JAMBS

## JAMB - DP70 (+70/-80)

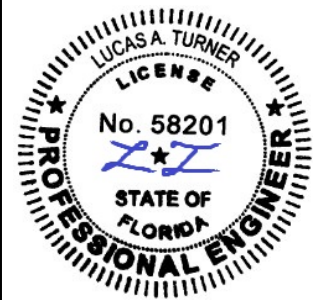
SEE TABLE I, SHEET 2:  
ANCHOR ID - L & M.



**NOTES:**

1. INSTALLATION HOLES ARE FABRICATED BY MANUFACTURER.
2. SEE TABLE I, SHEET 2 FOR FASTENER MINIMUM EDGE DISTANCE, EMBEDMENT AND ON CENTER SPACING.
2. 2X MIN. WOOD OR METAL INSTALLATIONS ONLY. WOOD OR METAL MAY BE INSTALLED BY OTHERS OVER CONCRETE/MASONRY NOT SHOWN.
3. 1/4" MAX. SHIM STACK.
4. FILL LEFT & RIGHT PRE-DRILLED JAMB INSTALLATION HOLES - 6" FROM CORNER OF SILL ONLY, WITH EXTERIOR GRADE SEALANT PRIOR TO INSERTING SCREWS AND APPLY SEALANT OVER THE HEAD OF THE SCREWS ONCE PROPERLY SEATED.

TITLE: MAXVIEW MULTI-SLIDE PATIO DOOR ANCHOR LAYOUT	DATE			
	BY			
	REVISION DESCRIPTION			
	NO.			
DATE:	DWN BY:	CHK BY:	SCALE:	NTS
08/28/23	LMH	SAS		



12/13/2023  
LUCAS A. TURNER, P.E.  
FL PE # 58201  
TURNER ENGINEERING & CONSULTING, INC.  
(COA # 29779)  
2428 OLD NATCHEZ TRACE  
TRAIL, CAMDEN, TN 38320  
PH. 941-380-1574

FL#: **41795**

DWG #: **IN0612**

SHEET: **14 OF 27**

# 3 TRACK ANCHOR LAYOUT DETAILS BOX FRAME - HEAD

## HEAD - DP70 (+70/-80)

EXTERIOR

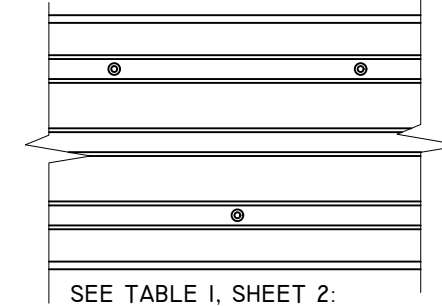
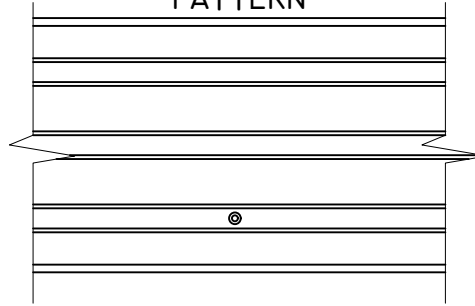
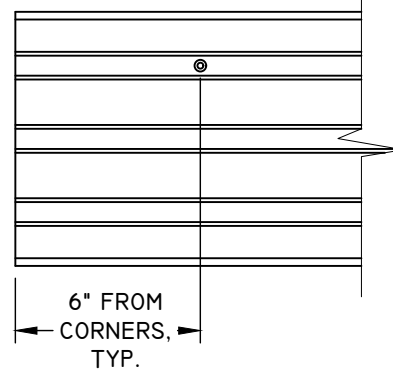
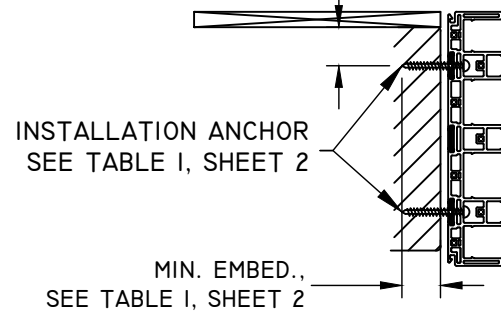
MIN. EDGE DIST.,  
SEE TABLE I, SHEET 2

END HOLES

CENTER OF PANEL OR POCKET  
PATTERN

INTERLOCK / ASTRAGAL PATTERN

NOTES:



SEE TABLE I, SHEET 2:  
3-0 MAX. PANEL ANCHOR ID - A, D, H AND J  
4-0 MAX. PANEL ANCHOR ID - D AND H  
5-0 MAX. PANEL ANCHOR ID - D

1. INTERLOCK/ASTRAGAL  
INSTALLATION HOLES ARE  
FABRICATED BY MANUFACTURER.  
EXCEPTION: ANCHORS H & J.

1.1. ANCHOR H\*: 5-0 PANELS  
REQUIRE 4 ANCHOR PER  
CLUSTER, 3 INSTALLATION  
HOLES ARE PRE-DRILLED BY  
MANUFACTURER.

1.2. ANCHOR J\*: 5-0 PANELS  
REQUIRE 6 ANCHORS PER  
CLUSTER, 5 INSTALLATIONS  
HOLES ARE PRE-DRILLED BY  
MANUFACTURER.

2. SEE TABLE I, SHEET 2 FOR  
FASTENER MINIMUM EDGE  
DISTANCE, EMBEDMENT AND ON  
CENTER SPACING.

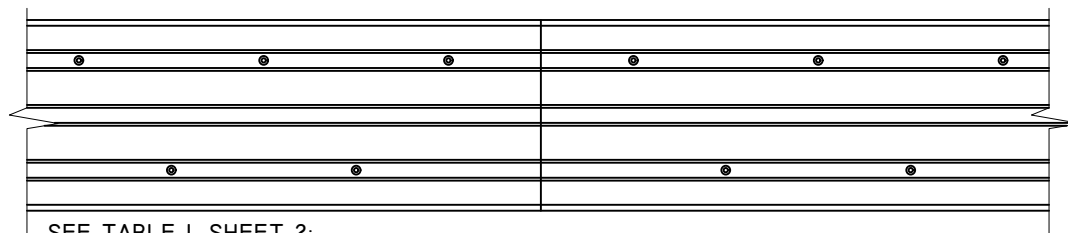
3. IX WOOD BUCK BY OTHERS IS  
OPTIONAL FOR MASONRY  
APPLICATIONS.

4. 1/4" MAX. SHIM STACK.

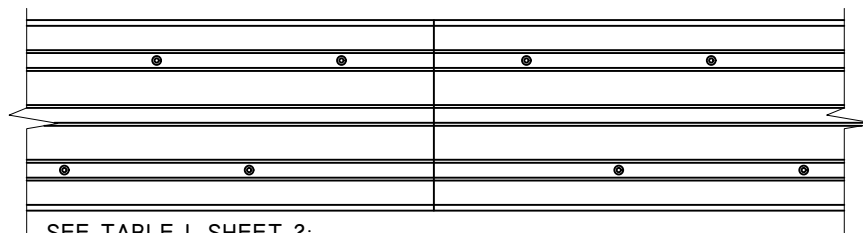
5. SPLICE DETAIL, SEE SHEET 26.

INTERIOR

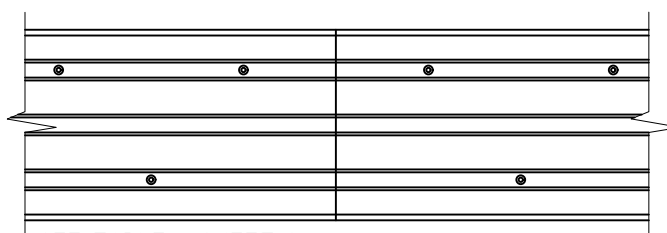
TYPICAL PATTERN AT SPLICE  
4" MIN. ON CENTER SPACING



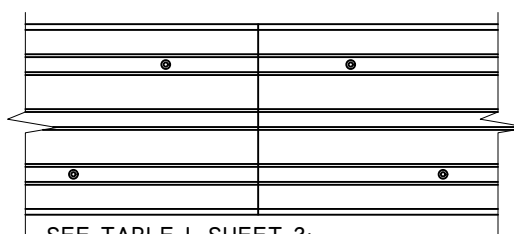
SEE TABLE I, SHEET 2:  
5-0 MAX. PANEL ANCHOR ID - C, L, M, N, O, P, AND Q



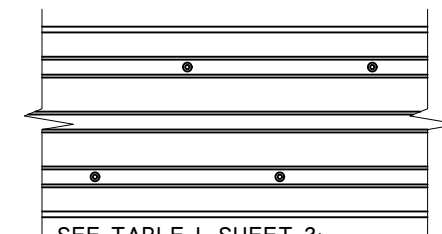
SEE TABLE I, SHEET 2:  
4-0 MAX. PANEL ANCHOR ID - C, L, M, N, O, P, AND Q



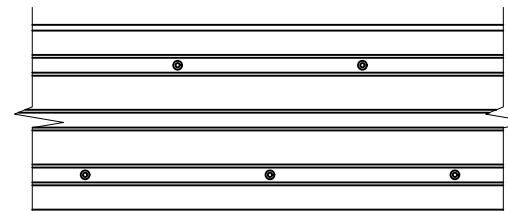
SEE TABLE I, SHEET 2:  
3-0 MAX. PANEL ANCHOR ID - C, L, M, N, O, P AND Q  
5-0 MAX. PANEL ANCHOR ID - A AND J



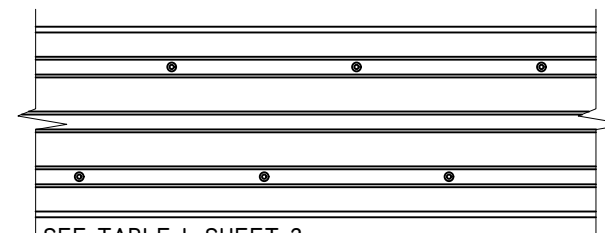
SEE TABLE I, SHEET 2:  
3-0 MAX. PANEL ANCHOR ID - A, D, H AND J  
4-0 MAX. PANEL ANCHOR ID - A, D, H AND J  
5-0 MAX. PANEL ANCHOR ID - D AND H.



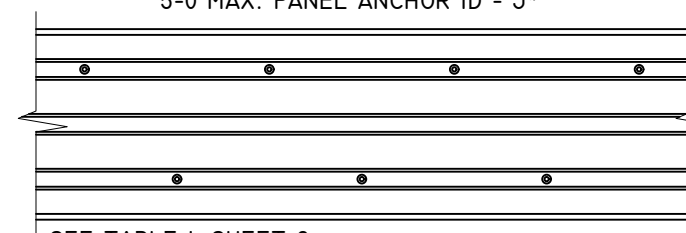
SEE TABLE I, SHEET 2:  
4-0 MAX. PANEL ANCHOR ID - A AND J  
5-0 MAX. PANEL ANCHOR ID - H\*



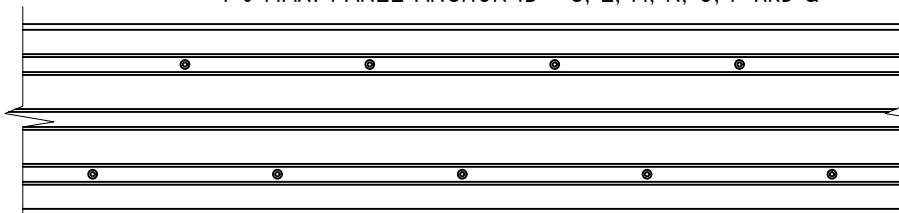
SEE TABLE I, SHEET 2:  
3-0 MAX. PANEL ANCHOR ID - C, L, M, N, O, P AND Q.



SEE TABLE I, SHEET 2:  
5-0 MAX. PANEL ANCHOR ID - J\*

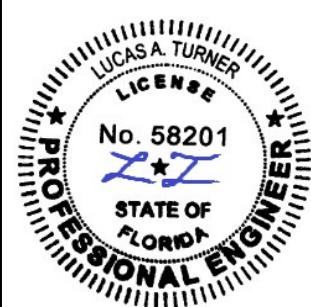


SEE TABLE I, SHEET 2:  
4-0 MAX. PANEL ANCHOR ID - C, L, M, N, O, P AND Q



SEE TABLE I, SHEET 2:  
5-0 MAX. PANEL ANCHOR ID - C, L, M, N, O, P AND Q

TITLE: MAXVIEW MULTI-SLIDE PATIO DOOR ANCHOR LAYOUT	DATE			
	BY			
	REVISION DESCRIPTION			
NO.				
DATE: 08/28/23	DWN BY: LMH	CHK BY: SAS	SCALE: NTS	



12/13/2023  
LUCAS A. TURNER, P.E.  
FL PE # 58201  
TURNER ENGINEERING &  
CONSULTING, INC.  
(COA # 29779)  
2428 OLD NATCHEZ TRACE  
TRAIL, CAMDEN, TN 38320  
PH. 941-380-1574

FL#: 41795  
DWG #: IN0612  
SHEET: 15 OF 27

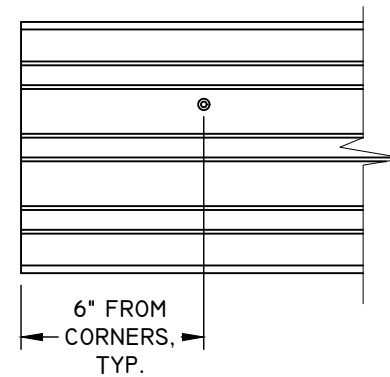
# 3 TRACK ANCHOR LAYOUT DETAILS BOX FRAME - SILL

## SILL - DP70 (+70/-80)

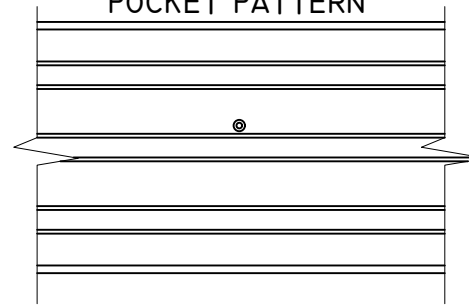
**NOTES:**

1. INTERLOCK/ASTRAGAL INSTALLATION HOLES ARE FABRICATED BY MANUFACTURER. EXCEPTION: ANCHORS H & J.
- 1.1. ANCHOR H\*: 5-0 PANELS REQUIRE 4 ANCHOR PER CLUSTER, 3 INSTALLATION HOLES ARE PRE-DRILLED BY MANUFACTURER.
- 1.2. ANCHOR J\*: 5-0 PANELS REQUIRE 6 ANCHORS PER CLUSTER, 5 INSTALLATIONS HOLES ARE PRE-DRILLED BY MANUFACTURER.
2. SEE TABLE I, SHEET 2 FOR FASTENER MINIMUM EDGE DISTANCE, EMBEDMENT AND ON CENTER SPACING.
3. IX WOOD BUCK BY OTHERS IS OPTIONAL FOR MASONRY APPLICATIONS.
4. SILL NAIL FIN IS OPTIONAL.
5. 1/4" MAX. SHIM STACK.
6. SPLICE DETAIL, SEE SHEET 26.
7. FILL ALL PRE-DRILLED INSTALLATION HOLES WITH EXTERIOR GRADE SEALANT PRIOR TO INSERTING SCREWS AND APPLY SEALANT OVER THE HEAD OF SCREWS ONCE PROPERLY SEATED.

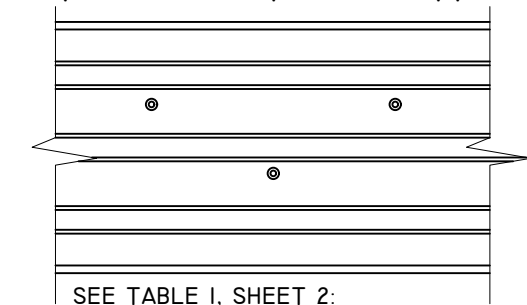
END HOLES



CENTER OF PANEL OR POCKET PATTERN



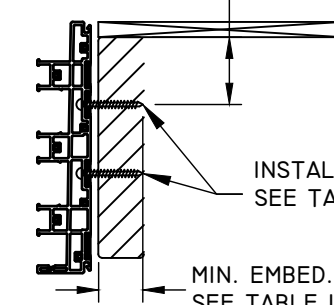
INTERLOCK / ASTRAGAL PATTERN



SEE TABLE I, SHEET 2:  
 3-0 MAX. PANEL ANCHOR ID - A, D, H AND J  
 4-0 MAX. PANEL ANCHOR ID - D AND H  
 5-0 MAX. PANEL ANCHOR ID - D

EXTERIOR

MIN. EDGE DIST., SEE TABLE I, SHEET 2

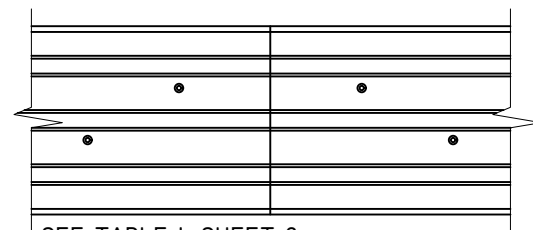


INSTALLATION ANCHOR SEE TABLE I, SHEET 2

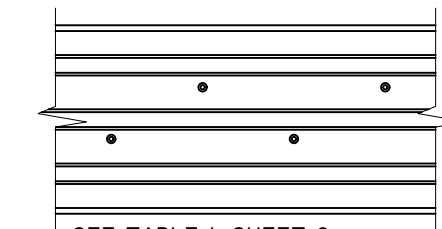
MIN. EMBED., SEE TABLE I, SHEET 2

INTERIOR

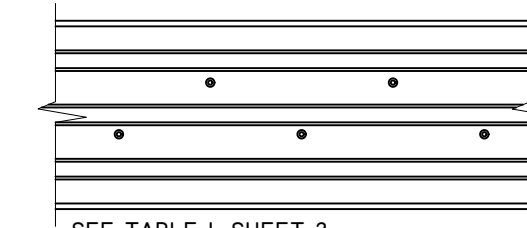
TYPICAL PATTERN AT SPLICE 4" MIN. ON CENTER SPACING



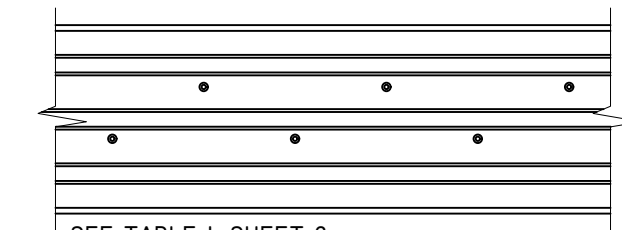
SEE TABLE I, SHEET 2:  
 3-0 MAX. PANEL ANCHOR ID - A, D, H AND J  
 4-0 MAX. PANEL ANCHOR ID - A, D, H AND J  
 5-0 MAX. PANEL ANCHOR ID - D AND H.



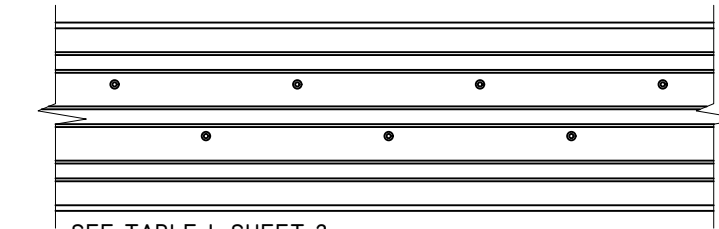
SEE TABLE I, SHEET 2:  
 4-0 MAX. PANEL ANCHOR ID - A AND J  
 5-0 MAX. PANEL ANCHOR ID - H\*



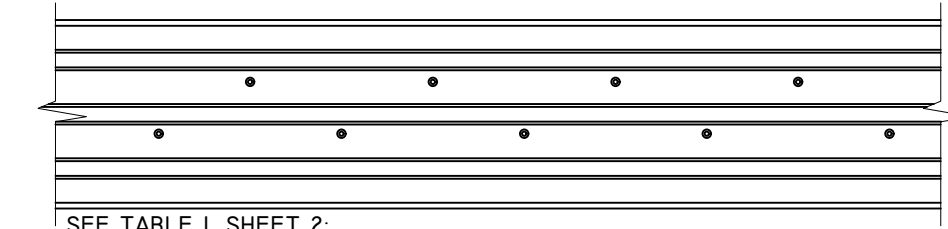
SEE TABLE I, SHEET 2:  
 3-0 MAX. PANEL ANCHOR ID - C, L, M, N, O, P AND Q.



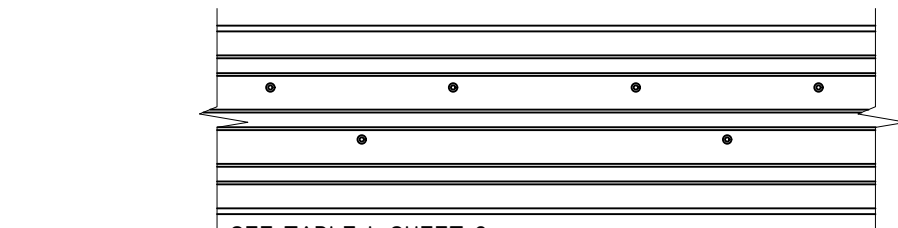
SEE TABLE I, SHEET 2:  
 5-0 MAX. PANEL ANCHOR ID - J\*



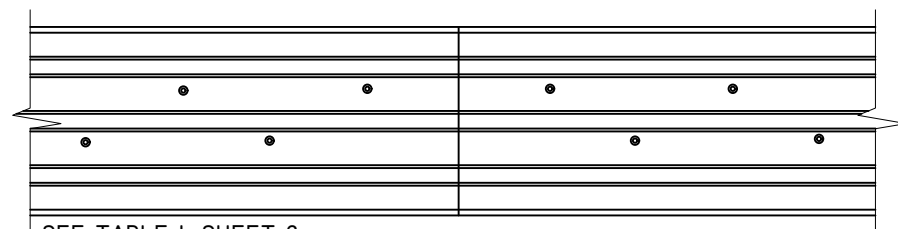
SEE TABLE I, SHEET 2:  
 4-0 MAX. PANEL ANCHOR ID - C, L, M, N, O, P AND Q



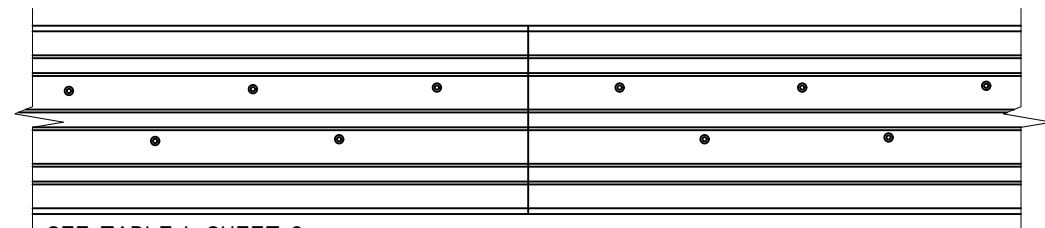
SEE TABLE I, SHEET 2:  
 5-0 MAX. PANEL ANCHOR ID - C, L, M, N, O, P AND Q



SEE TABLE I, SHEET 2:  
 3-0 MAX. PANEL ANCHOR ID - C, L, M, N, O, P AND Q  
 5-0 MAX. PANEL ANCHOR ID - A AND J



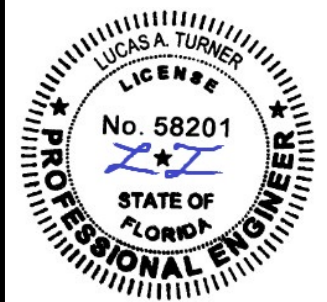
SEE TABLE I, SHEET 2:  
 4-0 MAX. PANEL ANCHOR ID - C, L, M, N, O, P, AND Q



SEE TABLE I, SHEET 2:  
 5-0 MAX. PANEL ANCHOR ID - C, L, M, N, O, P, AND Q

TITLE: MAXVIEW MULTI-SLIDE PATIO DOOR ANCHOR LAYOUT	DATE			
	BY			
REVISION DESCRIPTION	NO.			

DATE: 08/28/23	DWN BY: LMH	CHK BY: SAS	SCALE: NTS
----------------	-------------	-------------	------------



12/13/2023  
 LUCAS A. TURNER, P.E.  
 FL PE # 58201  
 TURNER ENGINEERING & CONSULTING, INC.  
 (COA # 29779)  
 2428 OLD NATCHEZ TRACE TRAIL, CAMDEN, TN 38320  
 PH. 941-380-1574

FL#: 41795

DWG #: IN0612

SHEET: 16 OF 27

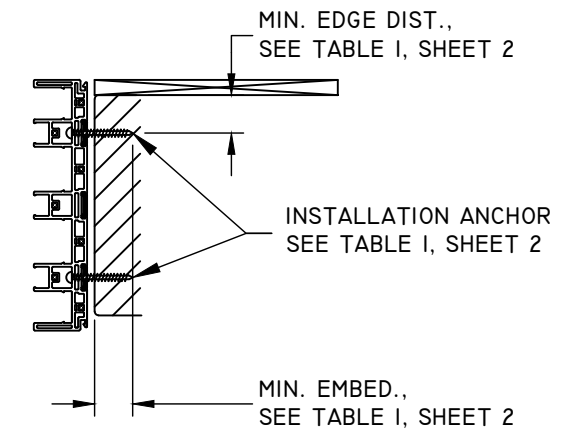
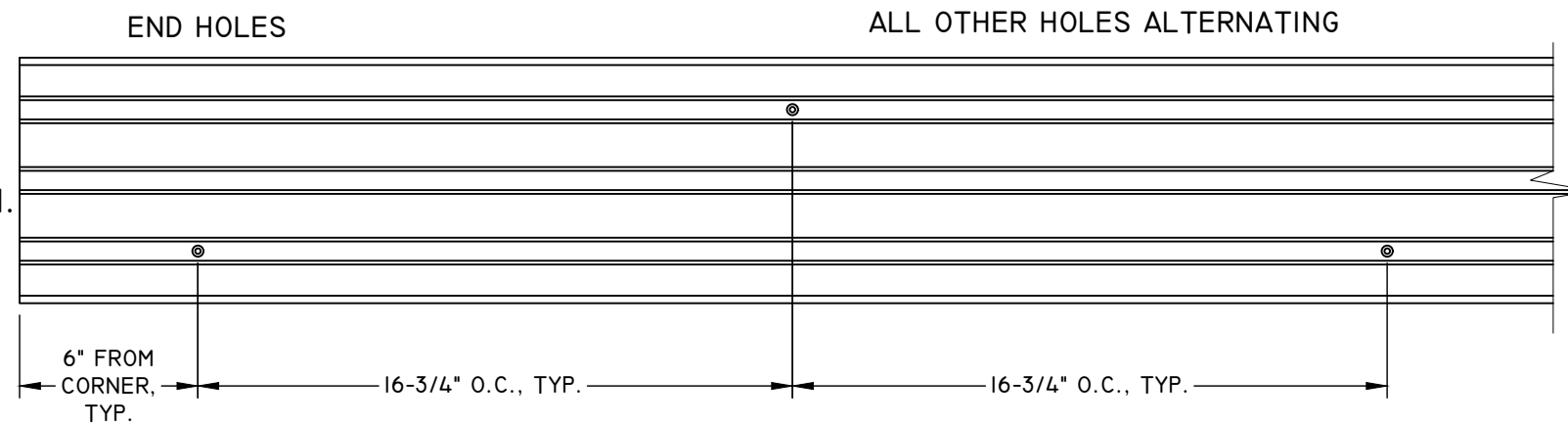


# 3 TRACK ANCHOR LAYOUT DETAILS BOX FRAME - JAMBS

## JAMB - DP70 (+70/-80)

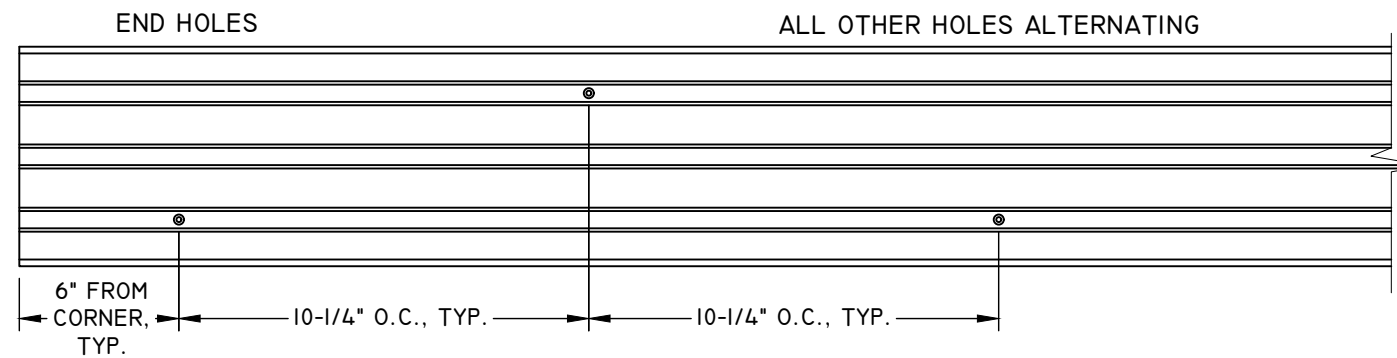
EXTERIOR

SEE TABLE I, SHEET 2:  
ANCHOR ID - A, D, F, AND H.

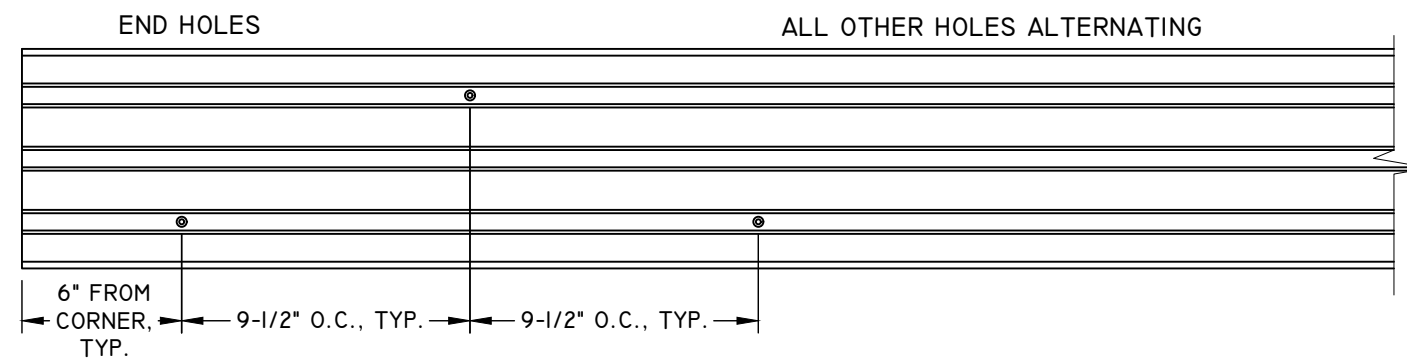


INTERIOR

SEE TABLE I, SHEET 2: ANCHOR  
ID - L, M, N, O, P AND Q.



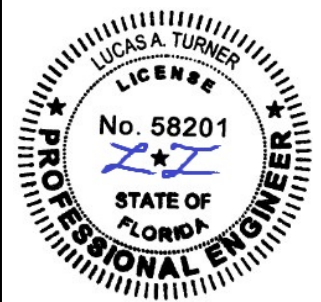
SEE TABLE I, SHEET 2: ANCHOR  
ID - B, C, E, G, I, J, AND K.



**NOTES:**

1. INSTALLATION HOLES ARE FABRICATED BY MANUFACTURER.
2. SEE TABLE I, SHEET 2 FOR FASTENER MINIMUM EDGE DISTANCE, EMBEDMENT AND ON CENTER SPACING.
3. IX WOOD BUCK BY OTHERS IS OPTIONAL FOR MASONRY APPLICATIONS.
4. 1/4" MAX. SHIM STACK.
5. FILL LEFT & RIGHT PRE-DRILLED JAMB INSTALLATION HOLES - 6" FROM CORNER OF SILL ONLY, WITH EXTERIOR GRADE SEALANT PRIOR TO INSERTING SCREWS AND APPLY SEALANT OVER THE HEAD OF THE SCREWS ONCE PROPERLY SEATED.

TITLE: MAXVIEW MULTI-SLIDE PATIO DOOR ANCHOR LAYOUT	DATE			
	BY			
REVISION DESCRIPTION	NO.			
DATE:	DWN BY:	CHK BY:	SCALE:	NTS
08/28/23	LMH	SAS		



12/13/2023  
LUCAS A. TURNER, P.E.  
FL PE # 58201  
TURNER ENGINEERING &  
CONSULTING, INC.  
(COA # 29779)  
2428 OLD NATCHEZ TRACE  
TRAIL, CAMDEN, TN 38320  
PH. 941-380-1574

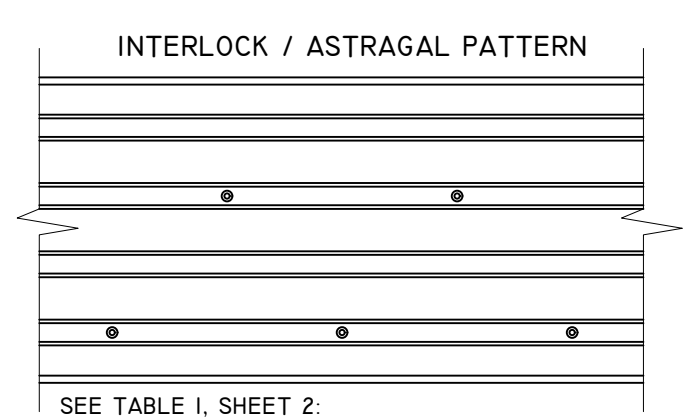
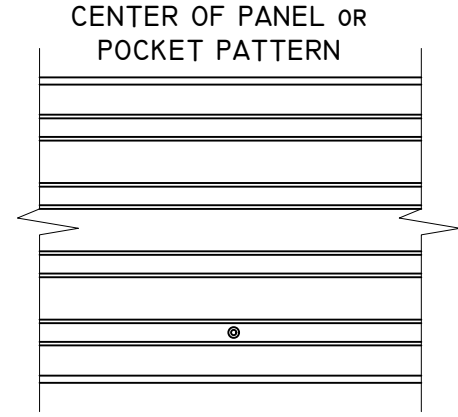
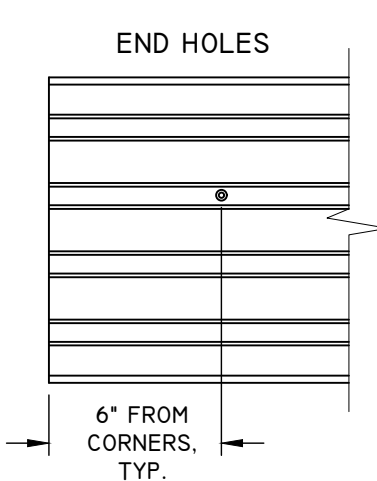
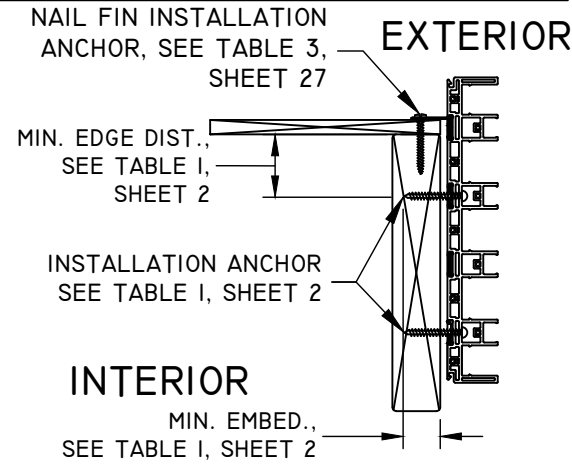
FL#: 41795

DWG #: IN0612

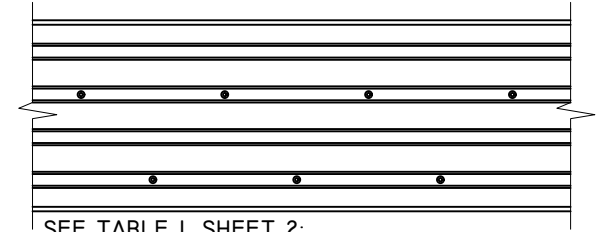
SHEET: 17 OF 27

# 4 TRACK ANCHOR LAYOUT DETAILS WITH NAIL FIN - HEAD

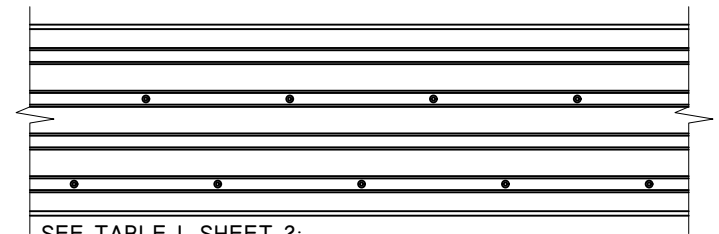
## HEAD - DP70 (+70/-80)



SEE TABLE 1, SHEET 2:  
3-0 MAX. PANEL ANCHOR ID - L & M

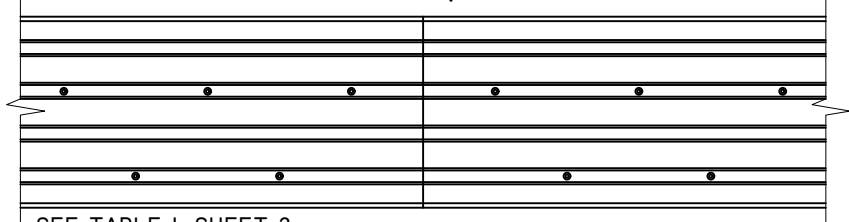


SEE TABLE 1, SHEET 2:  
4-0 MAX. PANEL ANCHOR ID - L & M

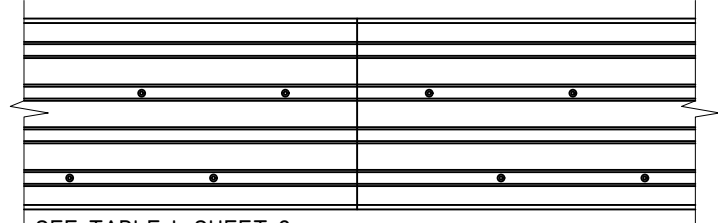


SEE TABLE 1, SHEET 2:  
5-0 MAX. PANEL ANCHOR ID - L & M

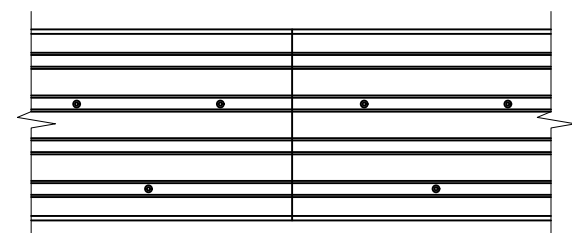
### TYPICAL PATTERN AT SPLICE 4" MIN. ON CENTER SPACING



SEE TABLE 1, SHEET 2:  
5-0 MAX. PANEL ANCHOR ID - L & M



SEE TABLE 1, SHEET 2:  
4-0 MAX. PANEL ANCHOR ID - L & M

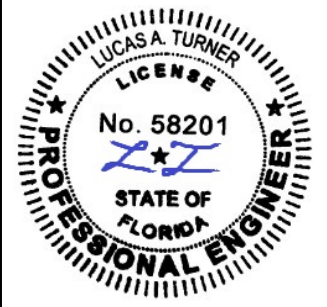


SEE TABLE 1, SHEET 2:  
3-0 MAX. PANEL ANCHOR ID - L & M

### NOTES:

1. UNIT MUST BE INSTALLED WITH ANCHORS THROUGH FRAME AND THROUGH NAIL FIN SIMULTANEOUSLY.
2. 2X MIN. WOOD OR METAL INSTALLATIONS ONLY. WOOD OR METAL MAY BE INSTALLED BY OTHERS OVER CONCRETE/MASONRY NOT SHOWN.
3. SEE SHEET 27 FOR SUPPLEMENTAL INSTALLATION PATTERN THROUGH NAIL FIN, DETAIL A.
4. FRAME INSTALLATION HOLES ARE FABRICATED BY MANUFACTURER.
5. SEE TABLE 1, SHEET 2 FOR FASTENER MINIMUM EDGE DISTANCE, EMBEDMENT AND ON CENTER SPACING.
6. 1/4" MAX. SHIM STACK.
7. SPLICE DETAIL, SEE SHEET 26.

TITLE: MAXVIEW MULTI-SLIDE PATIO DOOR ANCHOR LAYOUT	DATE						
	BY						
	REVISION DESCRIPTION						
	NO.						
DATE:	08/28/23	DWN BY:	LMH	CHK BY:	SAS	SCALE:	NTS



12/13/2023  
LUCAS A. TURNER, P.E.  
FL PE # 58201  
TURNER ENGINEERING & CONSULTING, INC.  
(COA # 29779)  
2428 OLD NATCHEZ TRACE TRAIL, CAMDEN, TN 38320  
PH. 941-380-1574

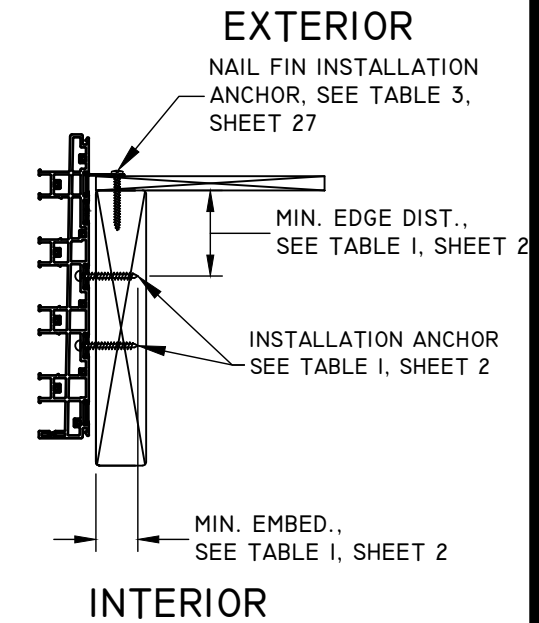
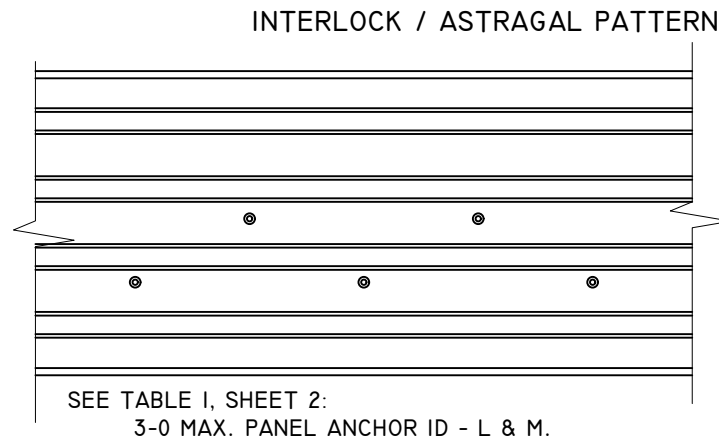
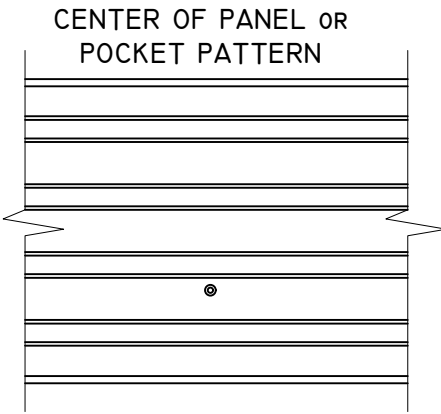
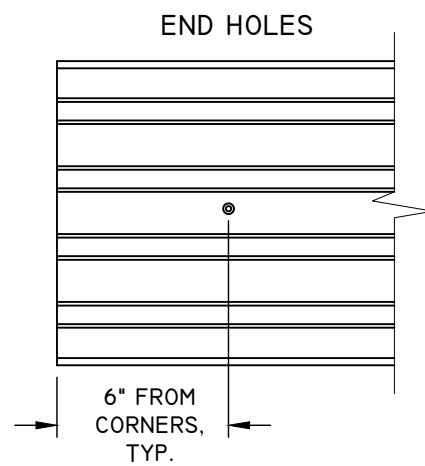
FL#: **41795**

DWG #: **IN0612**

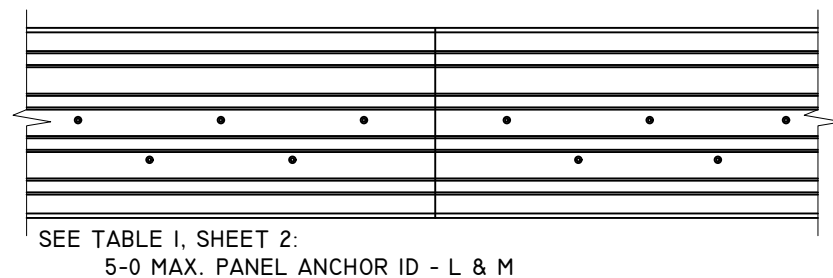
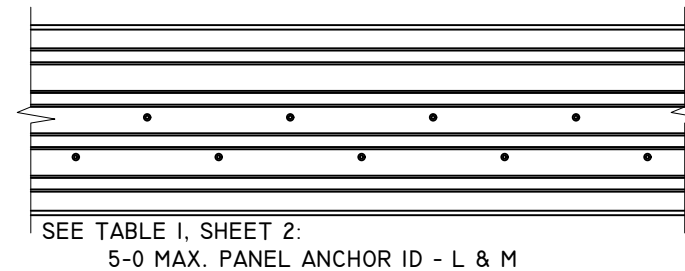
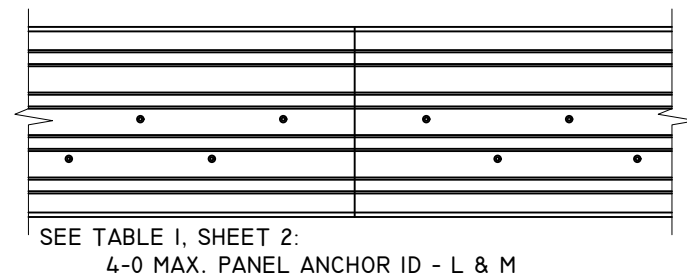
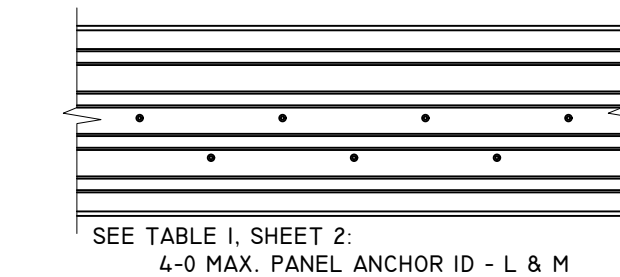
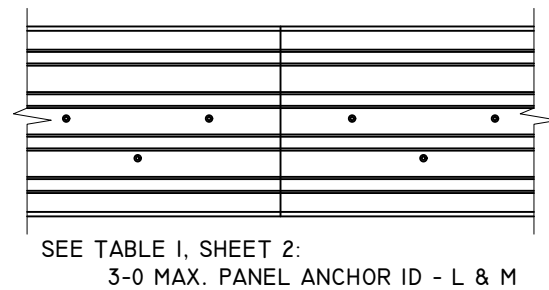
SHEET: **18 OF 27**

# 4 TRACK ANCHOR LAYOUT DETAILS WITH NAIL FIN - SILL

## SILL - DP70 (+70/-80)



TYPICAL PATTERN AT SPLICE  
4" MIN. ON CENTER SPACING



**NOTES:**

1. UNIT MUST BE INSTALLED WITH ANCHORS THROUGH FRAME AND THROUGH NAIL FIN SIMULTANEOUSLY.
2. 2X MIN. WOOD OR METAL INSTALLATIONS ONLY. WOOD OR METAL MAY BE INSTALLED BY OTHERS OVER CONCRETE/MASONRY, NOT SHOWN.
3. SEE SHEET 27 FOR SUPPLEMENTAL INSTALLATION PATTERN THROUGH NAIL FIN, DETAIL B - ALTERNATE.
4. FRAME INSTALLATION HOLES ARE FABRICATED BY MANUFACTURER.
5. SEE TABLE I, SHEET 2 FOR FASTENER MINIMUM EDGE DISTANCE, EMBEDMENT AND ON CENTER SPACING.
6. 1/4" MAX. SHIM STACK.
7. SPLICE DETAIL, SEE SHEET 26.
8. FILL ALL PRE-DRILLED INSTALLATION HOLES WITH EXTERIOR GRADE SEALANT PRIOR TO INSERTING SCREWS AND APPLY SEALANT OVER THE HEAD OF SCREWS ONCE PROPERLY SEATED.

TITLE: MAXVIEW MULTI-SLIDE PATIO DOOR ANCHOR LAYOUT	DATE			
	BY			
	REVISION DESCRIPTION			
NO.				
DATE: 08/28/23	DWN BY: LMH	CHK BY: SAS	SCALE: NTS	



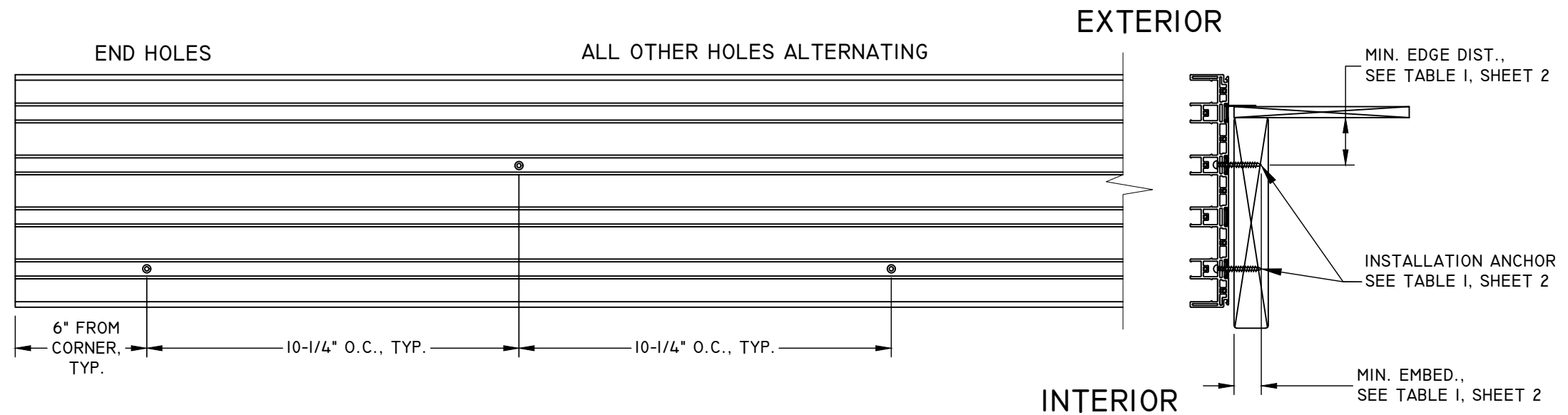
12/13/2023  
LUCAS A. TURNER, P.E.  
FL PE # 58201  
TURNER ENGINEERING & CONSULTING, INC.  
(COA # 29779)  
2428 OLD NATCHEZ TRACE TRAIL, CAMDEN, TN 38320  
PH. 941-380-1574

FL#: **41795**  
DWG #: **IN0612**  
SHEET: **19 OF 27**

# 4 TRACK ANCHOR LAYOUT DETAILS WITH NAIL FIN - JAMBS

## JAMB - DP70 (+70/-80)

SEE TABLE I, SHEET 2:  
ANCHOR ID - L & M.



**NOTES:**

1. INSTALLATION HOLES ARE FABRICATED BY MANUFACTURER.
2. SEE TABLE I, SHEET 2 FOR FASTENER MINIMUM EDGE DISTANCE, EMBEDMENT AND ON CENTER SPACING.
2. 2X MIN. WOOD OR METAL INSTALLATIONS ONLY. WOOD OR METAL MAY BE INSTALLED BY OTHERS OVER CONCRETE/MASONRY NOT SHOWN.
3. 1/4" MAX. SHIM STACK.
4. FILL LEFT & RIGHT PRE-DRILLED JAMB INSTALLATION HOLES - 6" FROM CORNER OF SILL ONLY, WITH EXTERIOR GRADE SEALANT PRIOR TO INSERTING SCREWS AND APPLY SEALANT OVER THE HEAD OF THE SCREWS ONCE PROPERLY SEATED.

TITLE: MAXVIEW MULTI-SLIDE PATIO DOOR ANCHOR LAYOUT	DATE			
	BY			
	REVISION DESCRIPTION			
	NO.			
DATE:	DWN BY:	CHK BY:	SCALE:	NTS
08/28/23	LMH	SAS		



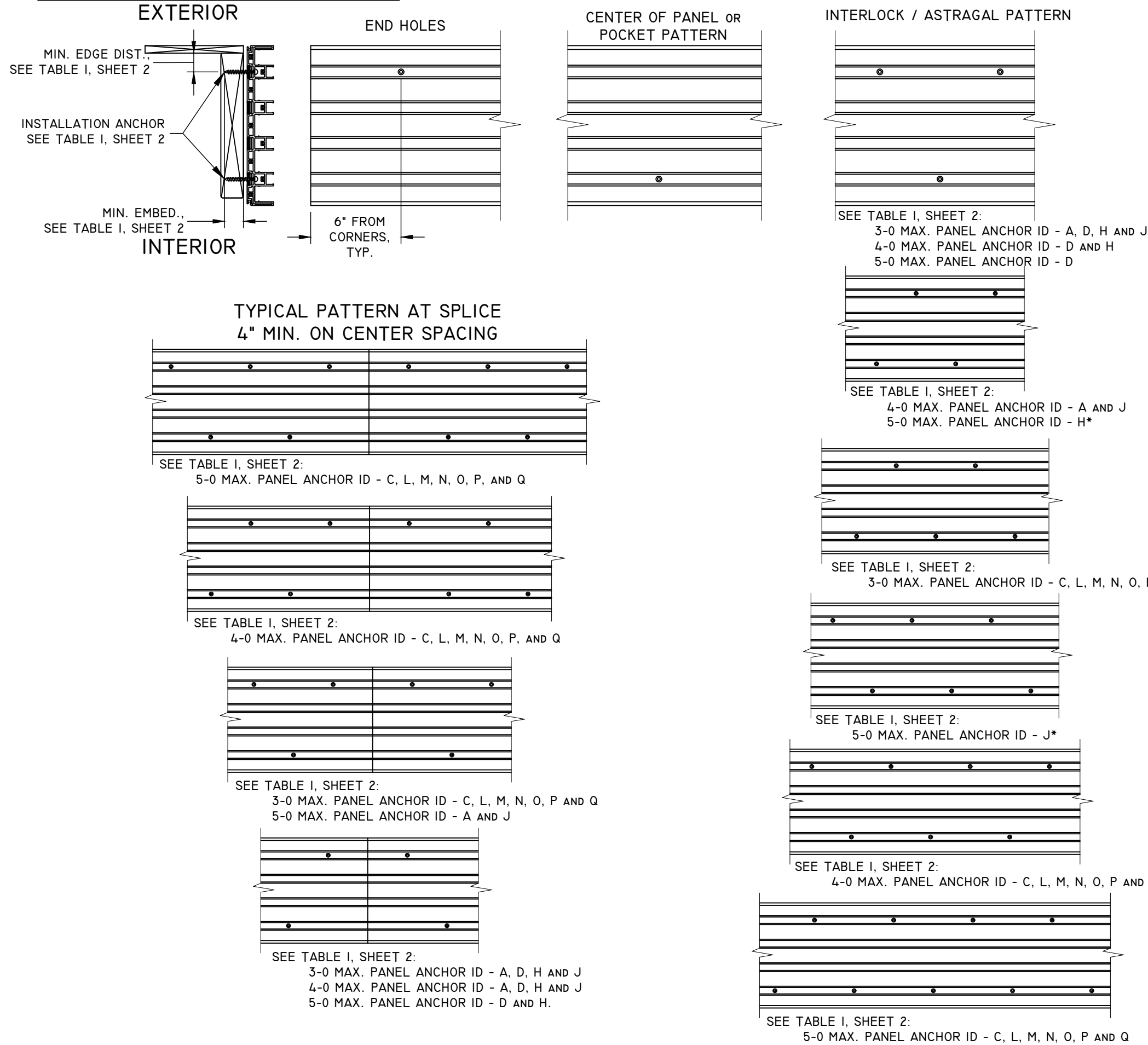
12/13/2023  
LUCAS A. TURNER, P.E.  
FL PE # 58201  
TURNER ENGINEERING & CONSULTING, INC.  
(COA # 29779)  
2428 OLD NATCHEZ TRACE TRAIL, CAMDEN, TN 38320  
PH. 941-380-1574

FL#:	41795
DWG #:	IN0612
SHEET:	20 OF 27



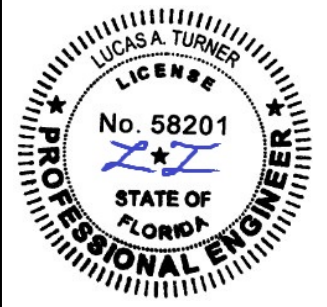
# 4 TRACK ANCHOR LAYOUT DETAILS BOX FRAME - HEAD

## HEAD - DP70 (+70/-80)



- NOTES:**
- SUBSTRATE**
    - WOOD STUD**
  - INTERLOCK/ASTRAGAL INSTALLATION HOLES ARE FABRICATED BY MANUFACTURER. EXCEPTION: ANCHORS H & J.**
    - ANCHOR H\*: 5-0 PANELS REQUIRE 4 ANCHOR PER CLUSTER, 3 INSTALLATION HOLES ARE PRE-DRILLED BY MANUFACTURER.**
    - ANCHOR J\*: 5-0 PANELS REQUIRE 6 ANCHORS PER CLUSTER, 5 INSTALLATIONS HOLES ARE PRE-DRILLED BY MANUFACTURER.**
  - SEE TABLE I, SHEET 2 FOR FASTENER MINIMUM EDGE DISTANCE, EMBEDMENT AND ON CENTER SPACING.**
  - IX WOOD BUCK BY OTHERS IS OPTIONAL FOR MASONRY APPLICATIONS.**
  - 1/4" MAX. SHIM STACK.**
  - SPLICE DETAIL, SEE SHEET 26.**

TITLE: MAXVIEW MULTI-SLIDE PATIO DOOR ANCHOR LAYOUT	DATE			
	BY			
NO.	REVISION DESCRIPTION			
DATE: 08/28/23	DWN BY: LMH	CHK BY: SAS	SCALE: NTS	

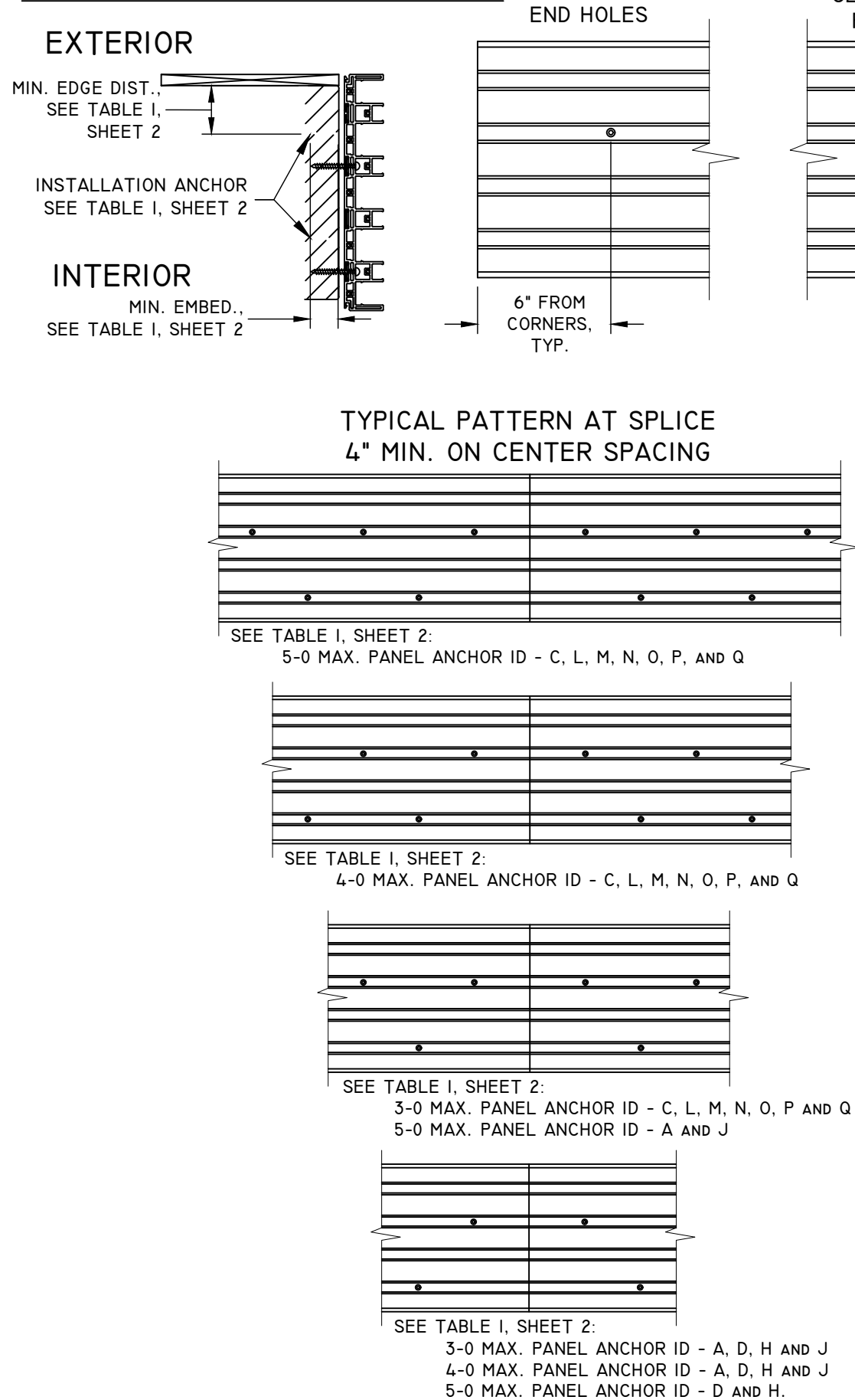


12/13/2023  
LUCAS A. TURNER, P.E.  
FL PE # 58201  
TURNER ENGINEERING & CONSULTING, INC.  
(COA # 29779)  
2428 OLD NATCHEZ TRACE  
TRAIL, CAMDEN, TN 38320  
PH. 941-380-1574

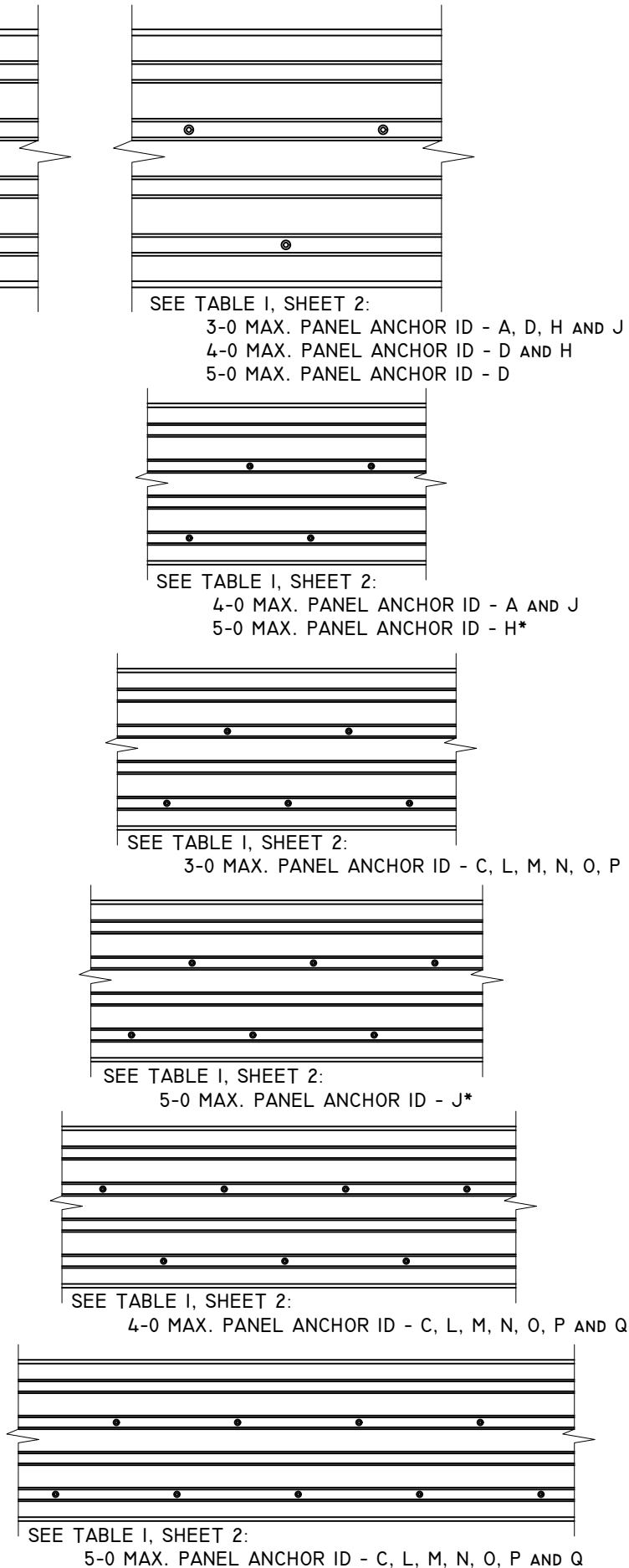
FL#:	<b>41795</b>
DWG #:	<b>IN0612</b>
SHEET:	<b>21 OF 27</b>

# 4 TRACK ANCHOR LAYOUT DETAILS WITH BOX FRAME - HEAD

## HEAD - DP70 (+70/-80)



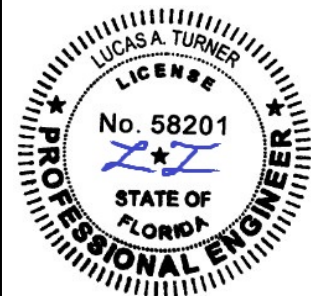
### INTERLOCK / ASTRAGAL PATTERN



### NOTES:

1. SUBSTRATE
  - 1.1. MASONRY
  - 1.2. STEEL/ALUMINUM STUD
2. INTERLOCK/ASTRAGAL INSTALLATION HOLES ARE FABRICATED BY MANUFACTURER. EXCEPTION: ANCHORS H & J.
  - 2.1. ANCHOR H\*: 5-0 PANELS REQUIRE 4 ANCHOR PER CLUSTER, 3 INSTALLATION HOLES ARE PRE-DRILLED BY MANUFACTURER.
  - 2.2. ANCHOR J\*: 5-0 PANELS REQUIRE 6 ANCHORS PER CLUSTER, 5 INSTALLATIONS HOLES ARE PRE-DRILLED BY MANUFACTURER.
3. SEE TABLE 1, SHEET 2 FOR FASTENER MINIMUM EDGE DISTANCE, EMBEDMENT AND ON CENTER SPACING.
4. IX WOOD BUCK BY OTHERS IS OPTIONAL FOR MASONRY APPLICATIONS.
5. 1/4" MAX. SHIM STACK.
6. SPLICE DETAIL, SEE SHEET 26.

TITLE: MAXVIEW MULTI-SLIDE PATIO DOOR ANCHOR LAYOUT	DATE			
	BY			
	REVISION DESCRIPTION			
NO.				
DATE: 08/28/23	DWN BY: LMH	CHK BY: SAS	SCALE: NTS	



12/13/2023  
LUCAS A. TURNER, P.E.  
FL PE # 58201  
TURNER ENGINEERING & CONSULTING, INC.  
(COA # 29779)  
2428 OLD NATCHEZ TRACE TRAIL, CAMDEN, TN 38320  
PH. 941-380-1574

FL#:	41795
DWG #:	IN0612
SHEET:	22 OF 27

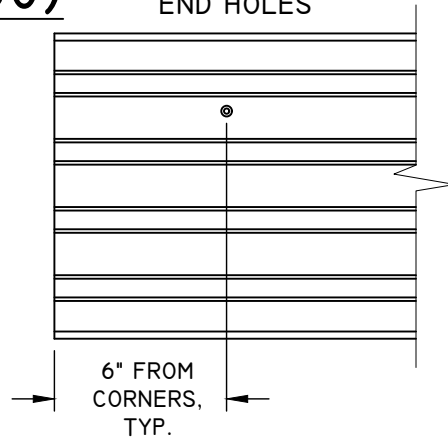
# 4 TRACK ANCHOR LAYOUT DETAILS BOX FRAME - SILL

## SILL - DP70 (+70/-80)

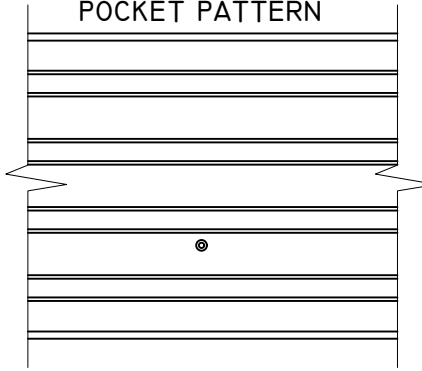
**NOTES:**

1. INTERLOCK/ASTRAGAL INSTALLATION HOLES ARE FABRICATED BY MANUFACTURER. EXCEPTION: ANCHORS H & J.
  - 1.1. ANCHOR H\*: 5-0 PANELS REQUIRE 4 ANCHOR PER CLUSTER, 3 INSTALLATION HOLES ARE PRE-DRILLED BY MANUFACTURER.
  - 1.2. ANCHOR J\*: 5-0 PANELS REQUIRE 6 ANCHORS PER CLUSTER, 5 INSTALLATIONS HOLES ARE PRE-DRILLED BY MANUFACTURER.
2. SEE TABLE I, SHEET 2 FOR FASTENER MINIMUM EDGE DISTANCE, EMBEDMENT AND ON CENTER SPACING.
3. IX WOOD BUCK BY OTHERS IS OPTIONAL FOR MASONRY APPLICATIONS.
4. SILL NAIL FIN IS OPTIONAL.
5. 1/4" MAX. SHIM STACK.
6. SPLICE DETAIL, SEE SHEET 26.
7. FILL ALL PRE-DRILLED INSTALLATION HOLES WITH EXTERIOR GRADE SEALANT PRIOR TO INSERTING SCREWS AND APPLY SEALANT OVER THE HEAD OF SCREWS ONCE PROPERLY SEATED.

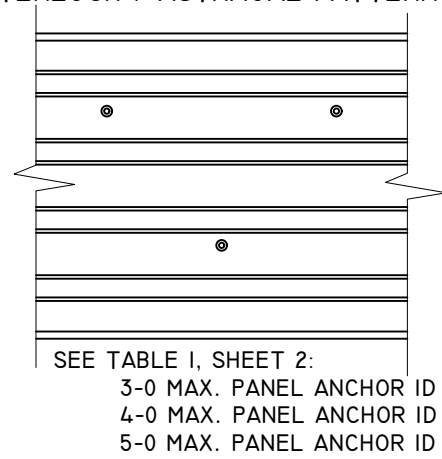
### END HOLES



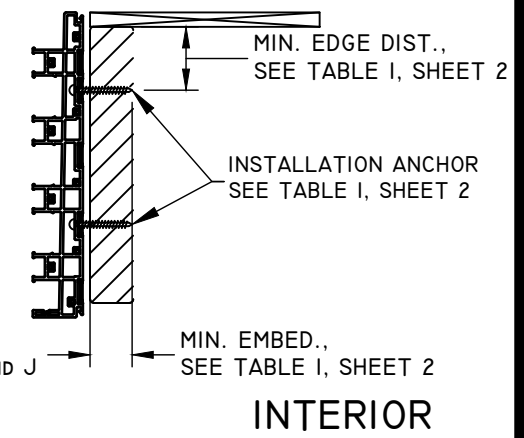
### CENTER OF PANEL OR POCKET PATTERN



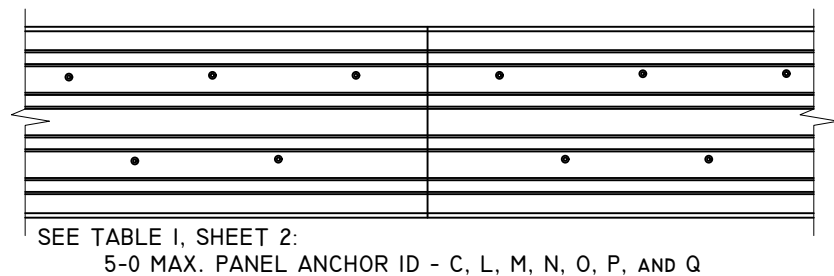
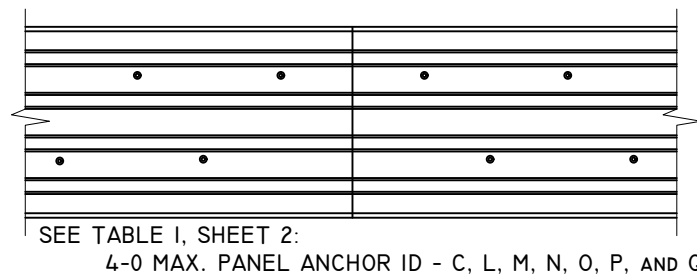
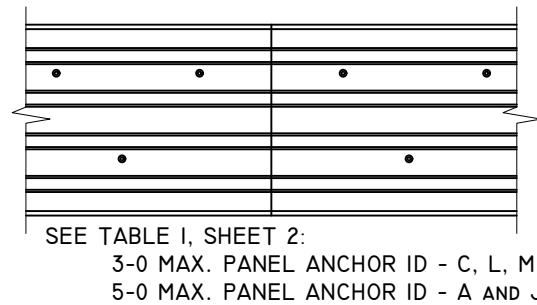
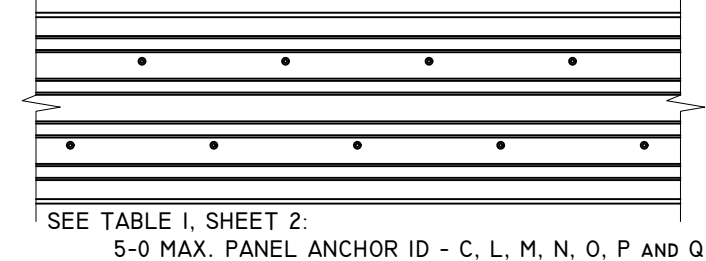
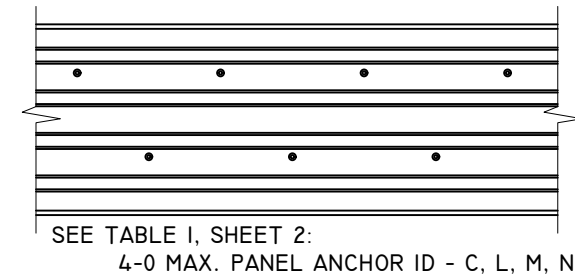
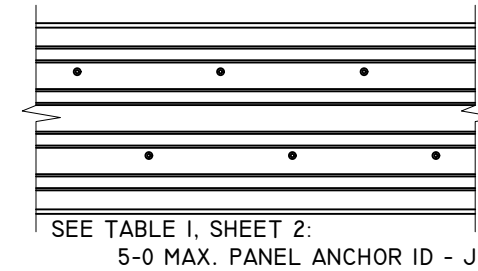
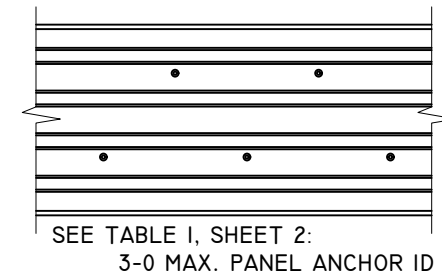
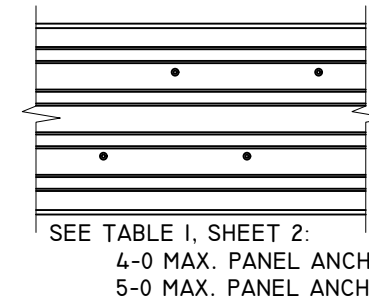
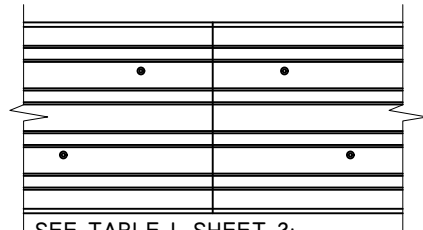
### INTERLOCK / ASTRAGAL PATTERN



### EXTERIOR



### TYPICAL PATTERN AT SPLICE 4" MIN. ON CENTER SPACING



TITLE: MAXVIEW MULTI-SLIDE PATIO DOOR ANCHOR LAYOUT	DATE			
	BY			
NO.	REVISION DESCRIPTION			
	NO.			
DATE: 08/28/23	DWN BY: LMH	CHK BY: SAS	SCALE: NTS	



12/13/2023  
LUCAS A. TURNER, P.E.  
FL PE # 58201  
TURNER ENGINEERING & CONSULTING, INC.  
(COA # 29779)  
2428 OLD NATCHEZ TRACE TRAIL, CAMDEN, TN 38320  
PH. 941-380-1574

FL#: 41795

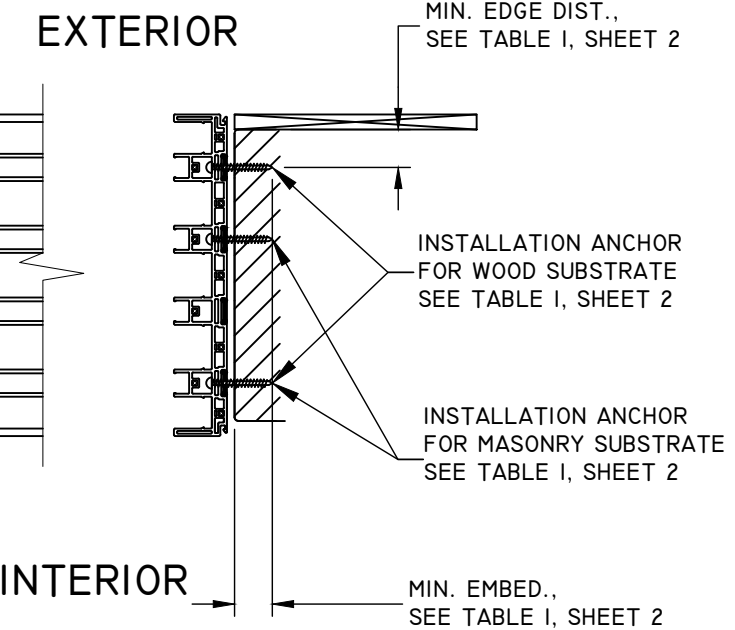
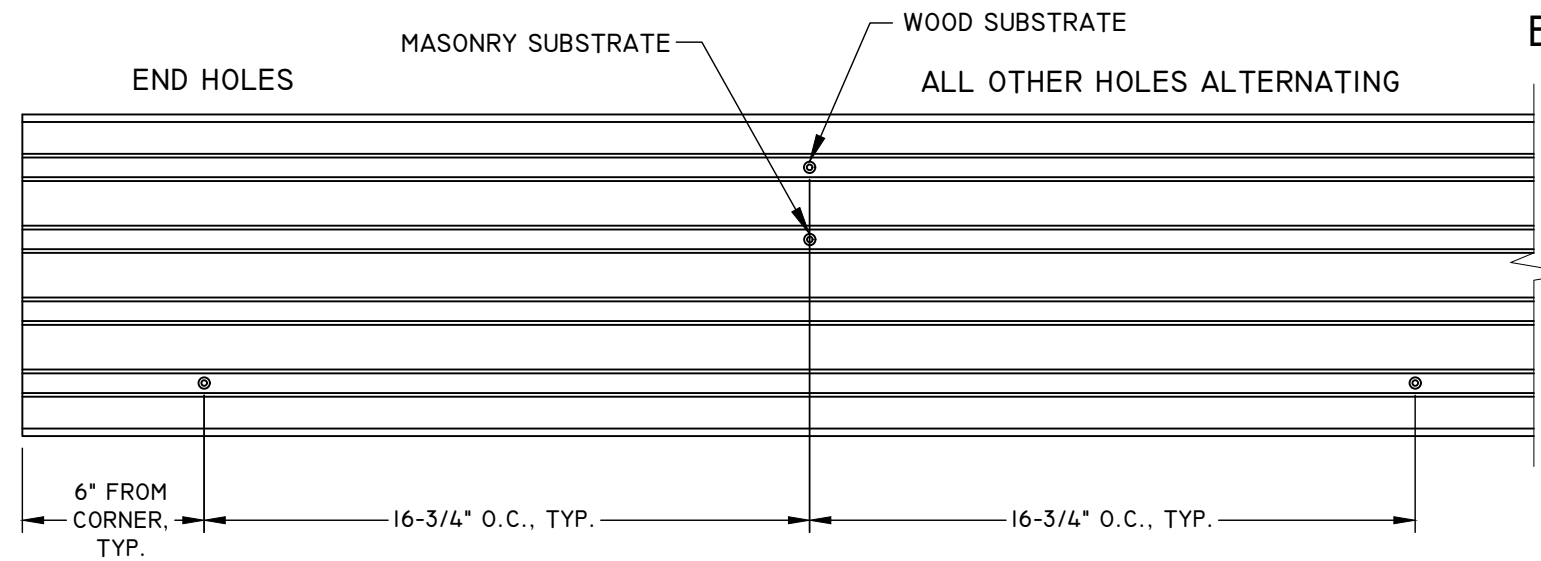
DWG #: IN0612

SHEET: 23 OF 27

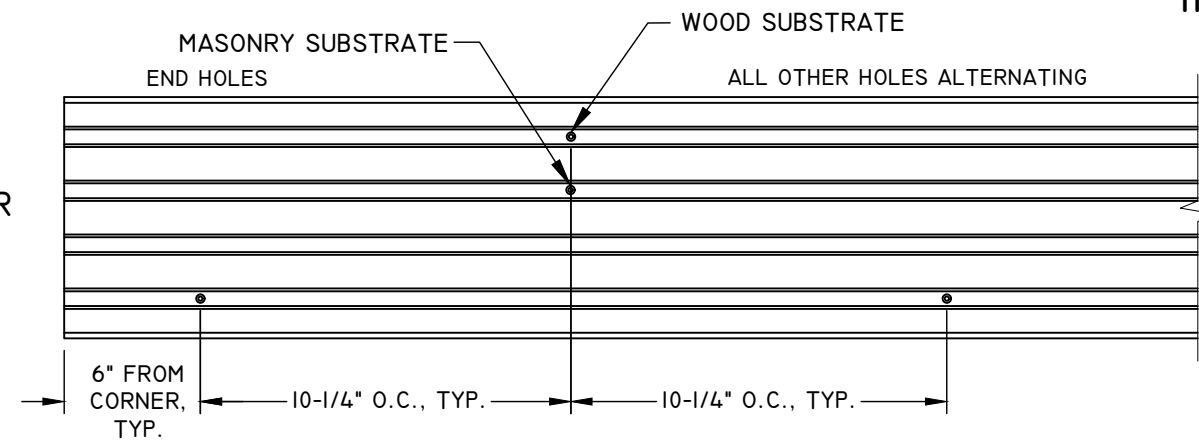
# 4 TRACK ANCHOR LAYOUT DETAILS BOX FRAME - JAMBS

## JAMB - DP70 (+70/-80)

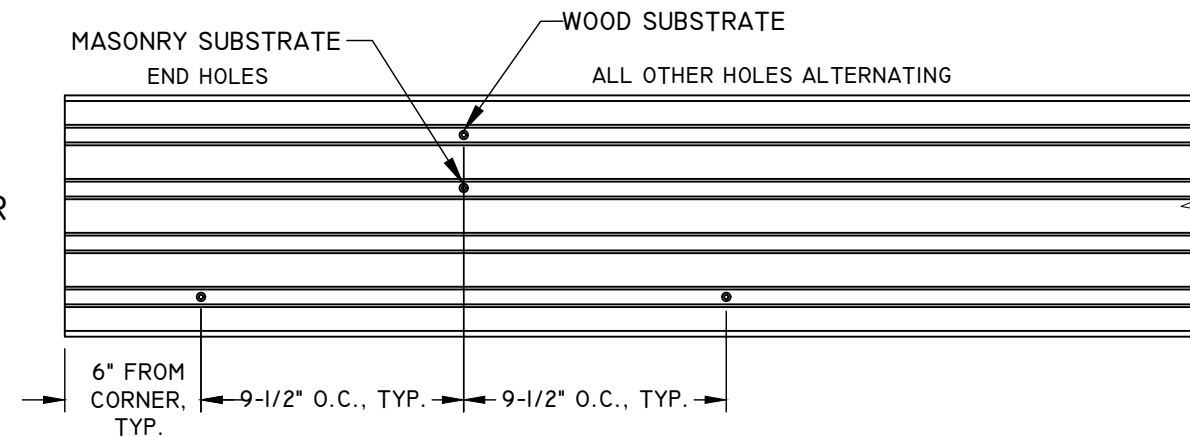
SEE TABLE I, SHEET 2:  
ANCHOR ID - A, D, F, AND H.



SEE TABLE I, SHEET 2: ANCHOR  
ID - L, M, N, O, P AND Q.



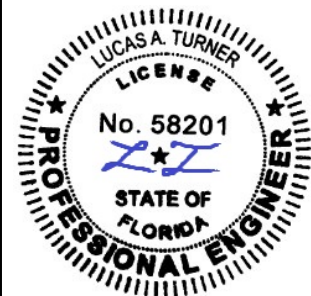
SEE TABLE I, SHEET 2: ANCHOR  
ID - B, C, E, G, I, J, AND K.



**NOTES:**

1. INSTALLATION HOLES ARE FABRICATED BY MANUFACTURER.
2. SEE TABLE I, SHEET 2 FOR FASTENER MINIMUM EDGE DISTANCE, EMBEDMENT AND ON CENTER SPACING.
3. IX WOOD BUCK BY OTHERS IS OPTIONAL FOR MASONRY APPLICATIONS.
4. 1/4" MAX. SHIM STACK.
5. FILL LEFT & RIGHT PRE-DRILLED JAMB INSTALLATION HOLES - 6" FROM CORNER OF SILL ONLY, WITH EXTERIOR GRADE SEALANT PRIOR TO INSERTING SCREWS AND APPLY SEALANT OVER THE HEAD OF THE SCREWS ONCE PROPERLY SEATED.

TITLE: MAXVIEW MULTI-SLIDE PATIO DOOR ANCHOR LAYOUT	DATE						
	BY						
	REVISION DESCRIPTION						
	NO.						
DATE:	08/28/23	DWN BY:	LMH	CHK BY:	SAS	SCALE:	NTS



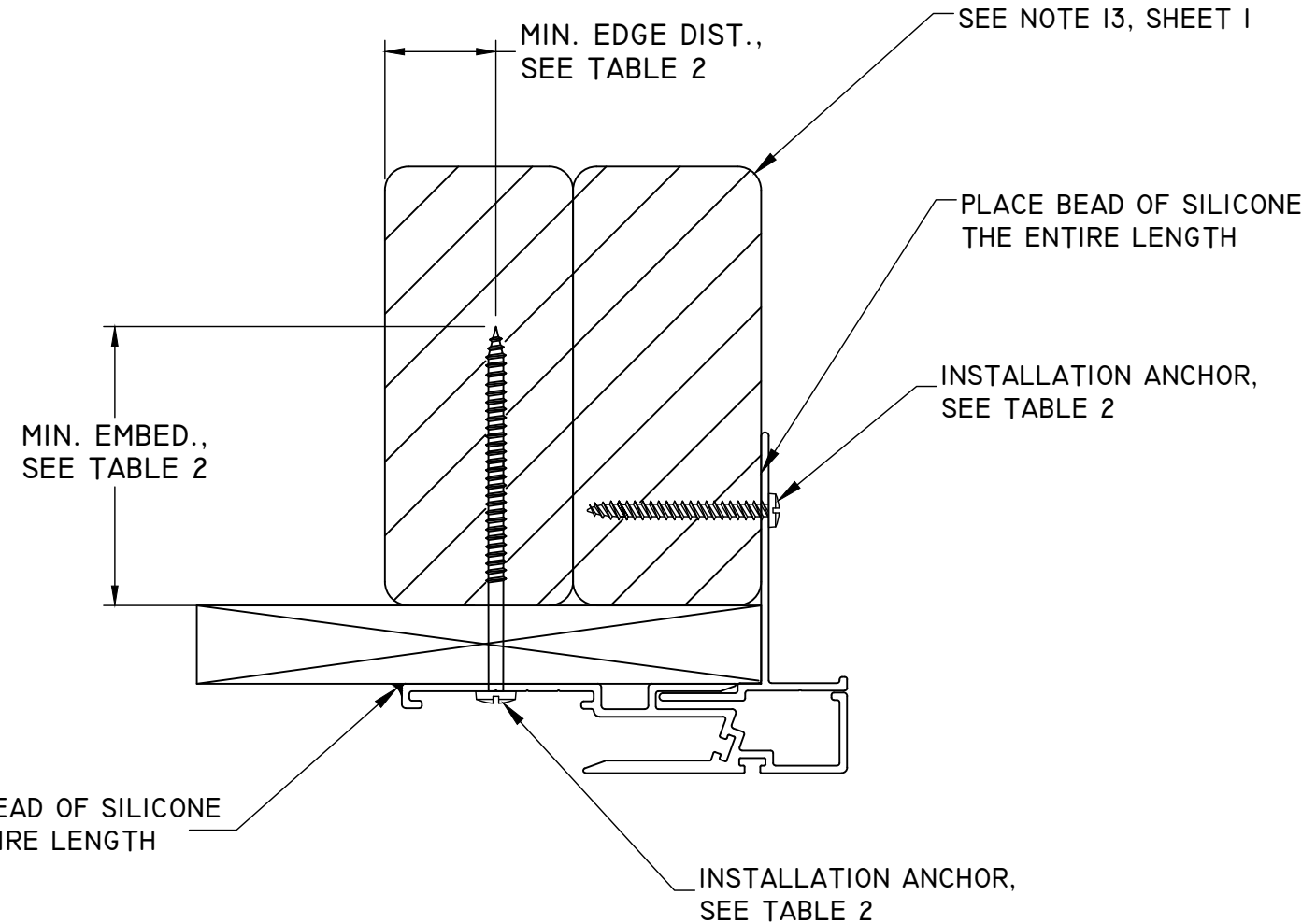
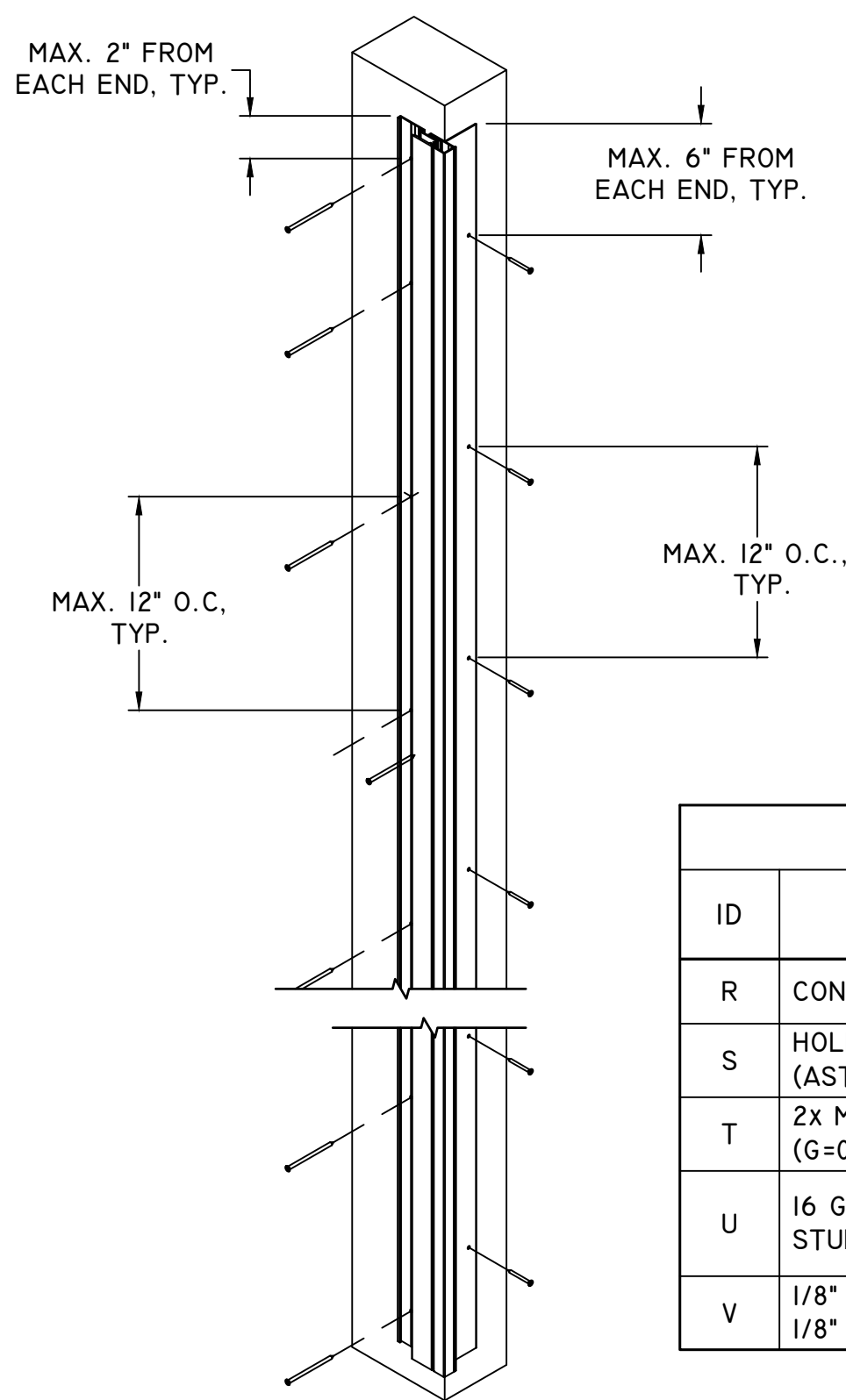
12/13/2023  
LUCAS A. TURNER, P.E.  
FL PE # 58201  
TURNER ENGINEERING & CONSULTING, INC.  
(COA # 29779)  
2428 OLD NATCHEZ TRACE TRAIL, CAMDEN, TN 38320  
PH. 941-380-1574

FL#:	41795
DWG #:	IN0612
SHEET:	24 OF 27



# P-HOOK ANCHOR LAYOUT

**DETAIL E4**  
P-HOOK



**TABLE 2: P-HOOK INSTALLATION FASTENERS TABLE**

ID	SUBSTRATE TYPE	ANCHOR TYPE	MIN. EDGE DISTANCE	MIN. EMBED.	MIN. ON-CENTER SPACING
R	CONCRETE (3.05 KSI MIN)	3/16" DEWALT ULTRACON+ COATED CARBON STEEL	1"	1"	3"
S	HOLLOW OR GROUT-FILLED CMU (ASTM C-90)	3/16" DEWALT ULTRACON+ COATED CARBON STEEL	1"	1-1/4"	3"
T	2x MIN. SPRUCE-PIN-FIR WOOD (G=0.42 MIN)	#8 GRADE 5 STEEL WOOD SCRW	1"	1-1/4"	3"
U	16 GAUGE (0.060") MIN. STEEL STUD, 33 KSI MIN. YIELD	#10-16 ITW-TEKS, DEWALT DRIL-FLEX, OR HILTI KWIK-FLEX SELF DRILLING SCREW	1/2"	FULL PLUS 3 THREADS MIN.	3"
V	1/8" ALUM. 6063-T5 MIN. OR 1/8" STEEL 33 KSI MIN.	#10-16 GRADE 5 SELF-TAPPING/DRILLING SCREW	1/2"	FULL PLUS 3 THREADS MIN.	3"

NOTES: -ALL SCREWS SHALL BE PAN OR HEX WASHER HEAD.  
-PRE-DRILLING FOR ANCHORS INTO WOOD IS RECOMMENDED.  
-CONCRETE/MASONRY SHALL NOT BE CRACKED.

TITLE: MAXVIEW MULTI-SLIDE PATIO DOOR P-HOOK ANCHOR LAYOUT	DATE			
	BY			
	REVISION DESCRIPTION			
	NO.			
DATE: 08/28/23	DWN BY: LMH	CHK BY: SAS	SCALE: NTS	



12/13/2023  
LUCAS A. TURNER, P.E.  
FL PE # 58201  
TURNER ENGINEERING & CONSULTING, INC.  
(COA # 29779)  
2428 OLD NATCHEZ TRACE TRAIL, CAMDEN, TN 38320  
PH. 941-380-1574

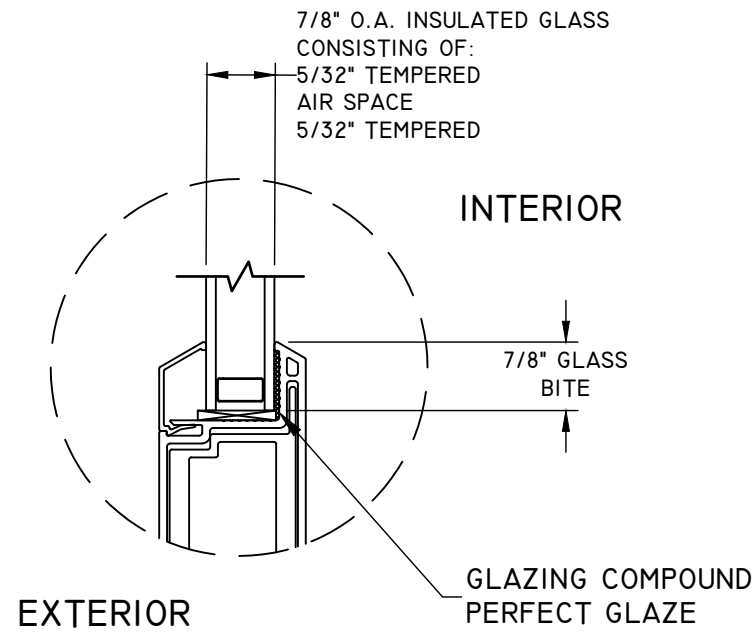
FL#: **41795**

DWG #: **IN0612**

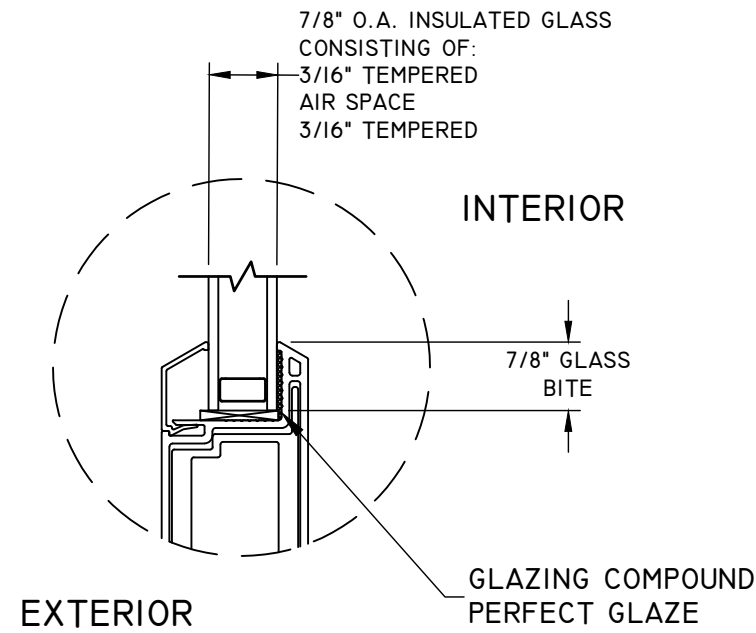
SHEET: **25 OF 27**



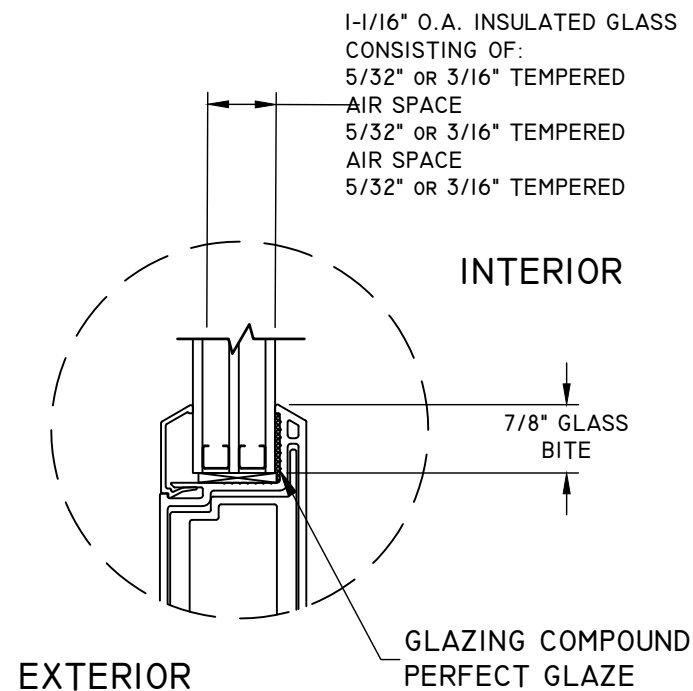
# SPLICE DETAILS



**GLAZING DETAIL 1**

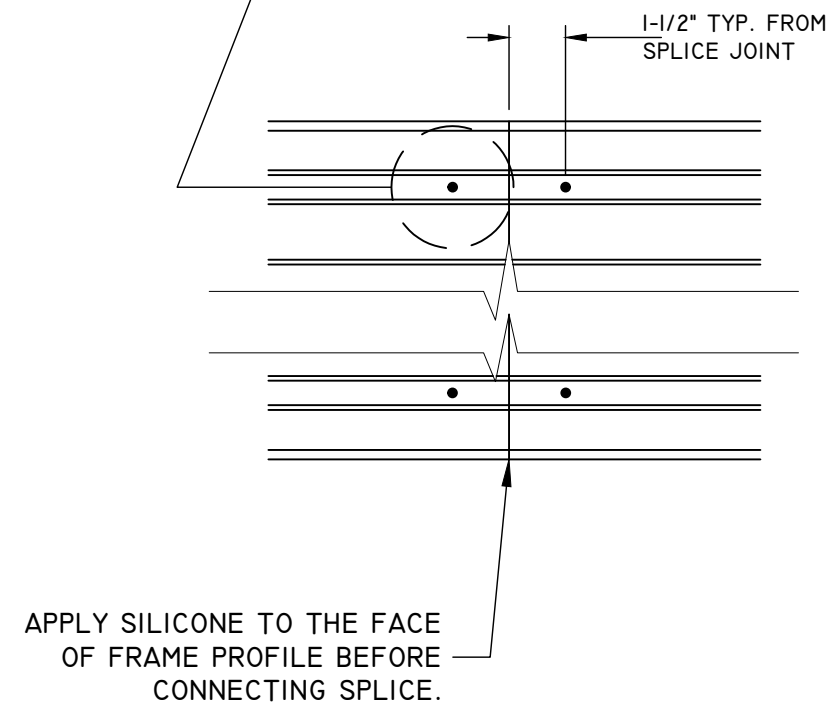
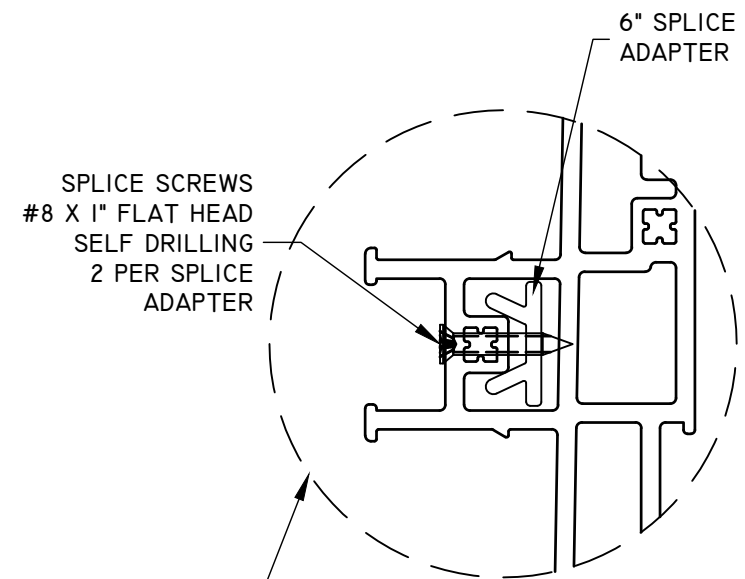


**GLAZING DETAIL 2**



**GLAZING DETAIL 3**

GLAZING NOTE:  
GLASS THICKNESS AND TYPE SHALL COMPLY WITH  
ASTM E-1300 GLASS CHART REQUIREMENTS.



TITLE: MAXVIEW MULTI-SLIDE PATIO DOOR GLAZING DETAILS & SPLICE DETAILS	DATE			
	BY			
NO.	REVISION DESCRIPTION			
DATE: 08/28/23	DWN BY: LMH	CHK BY: SAS	SCALE: NTS	



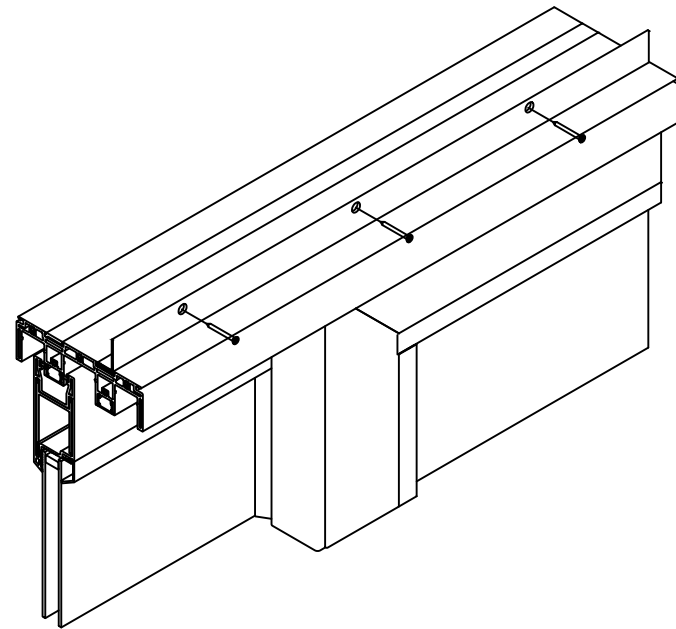
12/13/2023  
LUCAS A. TURNER, P.E.  
FL PE # 58201  
TURNER ENGINEERING &  
CONSULTING, INC.  
(COA # 29779)  
2428 OLD NACHEZ TRACE  
TRAIL, CAMDEN, TN 38320  
PH. 941-380-1574

FL#: **41795**

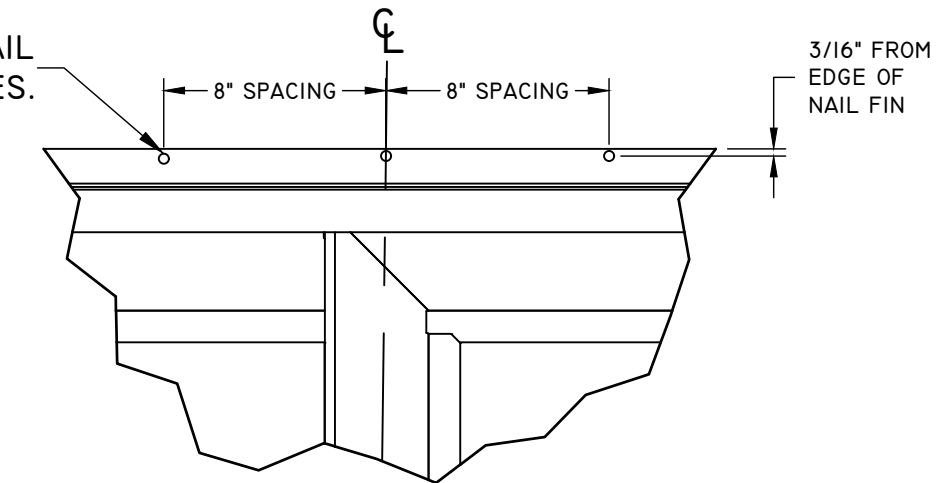
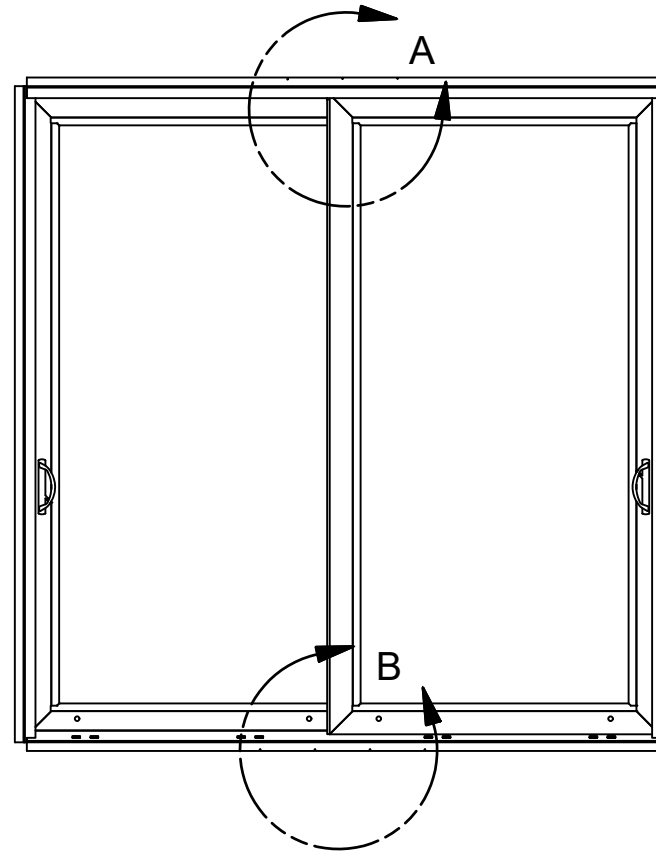
DWG #: **IN0612**

SHEET: **26 OF 27**

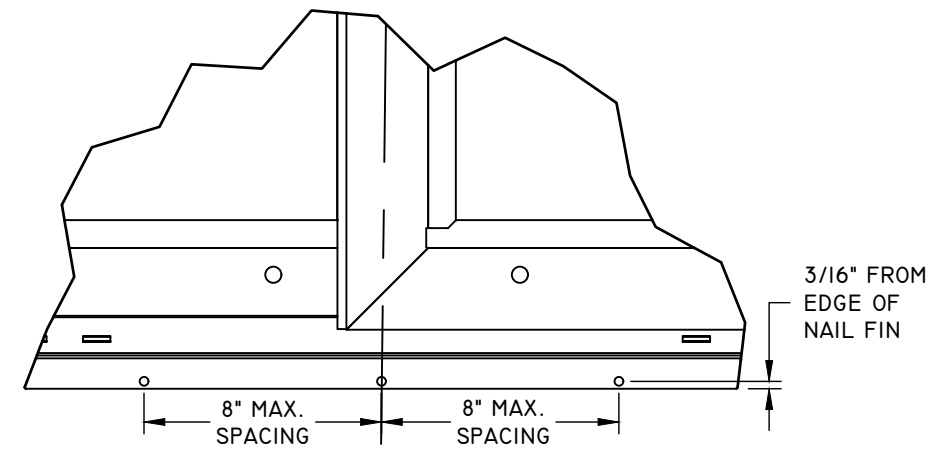
# NAIL FIN SUPPLEMENTAL PATTERN - HEAD AND SILL CENTERED AT INTERLOCK / ASTRAGAL



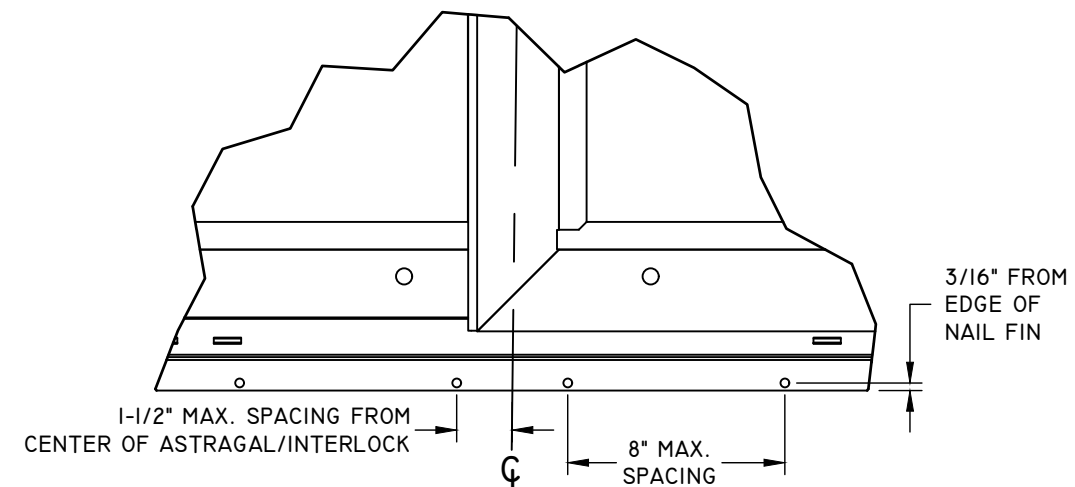
PRE-DRILL 3 - 1/8" NAIL  
FIN INSTALLATION HOLES.



DETAIL A



DETAIL B



DETAIL B - ALTERNATE  
2-TRACK SILL ONLY

**NOTE:**

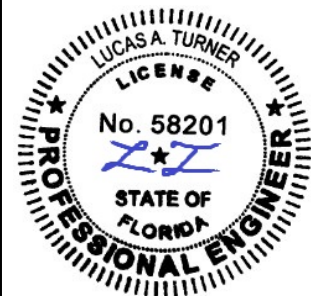
APPLY A CONTINUOUS BEAD OF SEALANT TO THE INTERIOR SIDE OF NAIL FIN, AROUND THE ENTIRE PERIMETER OF DOOR, APPROXIMATELY 1/4" FROM THE OUTER EDGE OF NAIL FIN.

TABLE 3: NAIL-FIN INSTALLATION FASTENERS TABLE

ID	SUBSTRATE TYPE	ANCHOR TYPE	MIN. EDGE DISTANCE	MIN. EMBED.	MIN. ON-CENTER SPACING
X	2x MIN. SPRUCE-PIN-FIR WOOD (G=0.42 MIN)	#8 GRADE 5 STEEL WOOD SCRW	5/8"	1-1/2"	3"
Y	16 GAUGE (0.060") MIN. STEEL STUD, 33 KSI MIN. YIELD	#10-16 ITW-TEKS, DEWALT DRIL-FLEX, OR HILTI KWIK-FLEX SELF DRILLING SCREW	1/2"	FULL PLUS 3 THREADS MIN.	3"
Z	1/8" ALUM. 6063-T5 MIN. OR 1/8" STEEL 33 KSI MIN.	#10-16 GRADE 5 SELF-TAPPING/DRILLING SCREW	1/2"	FULL PLUS 3 THREADS MIN.	3"

NOTES: -ALL SCREWS SHALL BE PAN OR FLAT HEAD.  
-PRE-DRILLING FOR ANCHORS INTO WOOD IS RECOMMENDED.

TITLE: MAXVIEW MULTI-SLIDE PATIO DOOR NAIL FIN SUPPLEMENTAL PATTERN	DATE			
	BY			
	REVISION DESCRIPTION			
	NO.			
DATE:	DWN BY:	CHK BY:	SCALE:	NTS
08/28/23	LMH	SAS		



12/13/2023  
LUCAS A. TURNER, P.E.  
FL PE # 58201  
TURNER ENGINEERING &  
CONSULTING, INC.  
(COA # 29779)  
2428 OLD NATCHEZ TRACE  
TRAIL, CAMDEN, TN 38320  
PH. 941-380-1574

FL#: **41795**  
DWG #: **IN0612**  
SHEET: **27 OF 27**